

REVISIONS

| ZONE | REV.     | DESCRIPTION | DATE      | APPROVED |
|------|----------|-------------|-----------|----------|
| A    | RELEASED | PR266       | 09-SEP-94 |          |
| B    | EC 1511  |             | 14-JUL-95 | MDW      |
| C    | EC 1577  |             | 29-SEP-95 | MDW      |
| D    | EC 2239  |             | 16-DEC-98 | MDW      |

OUTPUT TEST: 28.3V RMS INTO AN 8Ω RESISTIVE LOAD, 5% T.H.D., 1KHZ, WITH RATED LINE VOLTAGE AT POWER TRANSFORMER PRIMARY.

NOTES: UNLESS OTHERWISE SPECIFIED 0.1 INSTANCES NOT USED: CR2, R102, R110, R111 1.3 LAST INSTANCES: CR9, CR16, CR38, F1, I16, K4, L4, L02, P1, Q2, R185, S10, T3 TH1, US, V12 2.3 X = SOLDER TERMINAL EYELET 3.3 ALL RESISTORS ARE 1/4 W CARBON FILM. 4.3 SIX DIGIT NUMBERS ARE FENDER PART NUMBERS. 5.3 ALL VOLTAGES MEASURED WITH RESPECT TO GROUND USING A DVM OF AT LEAST 1MΩ AC INPUT IMPEDANCE. LINE VOLTAGE LEVAGE RANGE: VOLTAGES MAY VARY 25%. TEST CONDITIONS: REVERB, MIX, AND PRESENCE CONTROLS FULL CCW, CHANNEL 2 GAIN CONTROL FULL CW. ALL OTHER CONTROLS SET TO "50% (50% ROTATION)". EFFECTS AND REVERB SELECT TO "BOTH". BIAS SET FOR 40mA IDLE PER OUTPUT TUBE. SEE NOTE 6. ALL AC SIGNAL VOLTAGES MEASURED WITH INPUT SIGNALS NORMALIZED TO PRODUCE 2.65V RMS AT TP16 WHICH PRODUCES AN OUTPUT OF 12.0V RMS INTO AN 8Ω RESISTIVE LOAD AT TP49. BIAS ADJUSTMENT - OUTPUT SWITCH SET TO HIGH (100%), NO SIGNAL APPLIED. ADJUST BALANCE CONTROL TO OBTAIN EQUAL SIGNAL BETWEEN TP10 AND TP11. SECOND - ADJUST BALANCE CONTROL TO OBTAIN MINIMUM, 0.8V MAXIMUM, 0.8V MINIMUM, 0.8V MAXIMUM.

EXPORT TRANSFORMER WIRING DIAGRAM.

| EXPORT POWER TRANSFORMER P/N 049652 | WIRING |
|-------------------------------------|--------|
| 1.00V                               | S7B    |
| 2.30V                               | S7B    |
| 2.40V                               | S7B    |
| 50/60HZ 50/60HZ 50/60HZ             | S7B    |
| CP4                                 | CP6    |
| CP6                                 | CP6    |
| S7B                                 | CP7    |
| CP7                                 | S7B    |
| CP8                                 | CP8    |
| S7B                                 | S7B    |
| CP6                                 | CP8    |
| CP8                                 | S7B    |

EXPORT TRANSFORMER WIRING DIAGRAM.

| EXPORT POWER TRANSFORMER P/N 049652 | WIRING |
|-------------------------------------|--------|
| 1.00V                               | S7B    |
| 2.30V                               | S7B    |
| 2.40V                               | S7B    |
| 50/60HZ 50/60HZ 50/60HZ             | S7B    |
| CP4                                 | CP6    |
| CP6                                 | CP6    |
| S7B                                 | CP7    |
| CP7                                 | S7B    |
| CP8                                 | CP8    |
| S7B                                 | S7B    |
| CP6                                 | CP8    |
| CP8                                 | S7B    |

PROPRIETARY  
 THIS DRAWING CONTAINS PROPRIETARY INFORMATION AND IS THE PROPERTY OF FENDER MUSICAL INSTRUMENTS CO. IT IS TO BE KEPT CONFIDENTIAL AND NOT REPRODUCED OR TRANSMITTED IN ANY MANNER WITHOUT THE EXPRESS WRITTEN PERMISSION OF FENDER MUSICAL INSTRUMENTS CO. COMPANY, CH STYRE USA, 10000 WILSON AVENUE, VAN NUYS, CA 91411-1699. NEXT HIGHER ASSEMBLY: X.XX 30.018° X.XXX 30.005° X.XXX 30.005° ANGLES

CHECKED BY: [Signature]  
 DATE: 1-14-94  
 APPROVED: [Signature]  
 DATE: 1/14/94  
 TOLERANCES: X.XX 30.018° X.XXX 30.005° X.XXX 30.005° ANGLES

DATABASE FILE: 2266S.DBF  
 CHECKED BY: [Signature]  
 DATE: 1-14-94  
 APPROVED: [Signature]  
 DATE: 1/14/94  
 TOLERANCES: X.XX 30.018° X.XXX 30.005° X.XXX 30.005° ANGLES

EXPORT TRANSFORMER WIRING DIAGRAM.

| EXPORT POWER TRANSFORMER P/N 049652 | WIRING |
|-------------------------------------|--------|
| 1.00V                               | S7B    |
| 2.30V                               | S7B    |
| 2.40V                               | S7B    |
| 50/60HZ 50/60HZ 50/60HZ             | S7B    |
| CP4                                 | CP6    |
| CP6                                 | CP6    |
| S7B                                 | CP7    |
| CP7                                 | S7B    |
| CP8                                 | CP8    |
| S7B                                 | S7B    |
| CP6                                 | CP8    |
| CP8                                 | S7B    |

EXPORT TRANSFORMER WIRING DIAGRAM.

| EXPORT POWER TRANSFORMER P/N 049652 | WIRING |
|-------------------------------------|--------|
| 1.00V                               | S7B    |
| 2.30V                               | S7B    |
| 2.40V                               | S7B    |
| 50/60HZ 50/60HZ 50/60HZ             | S7B    |
| CP4                                 | CP6    |
| CP6                                 | CP6    |
| S7B                                 | CP7    |
| CP7                                 | S7B    |
| CP8                                 | CP8    |
| S7B                                 | S7B    |
| CP6                                 | CP8    |
| CP8                                 | S7B    |

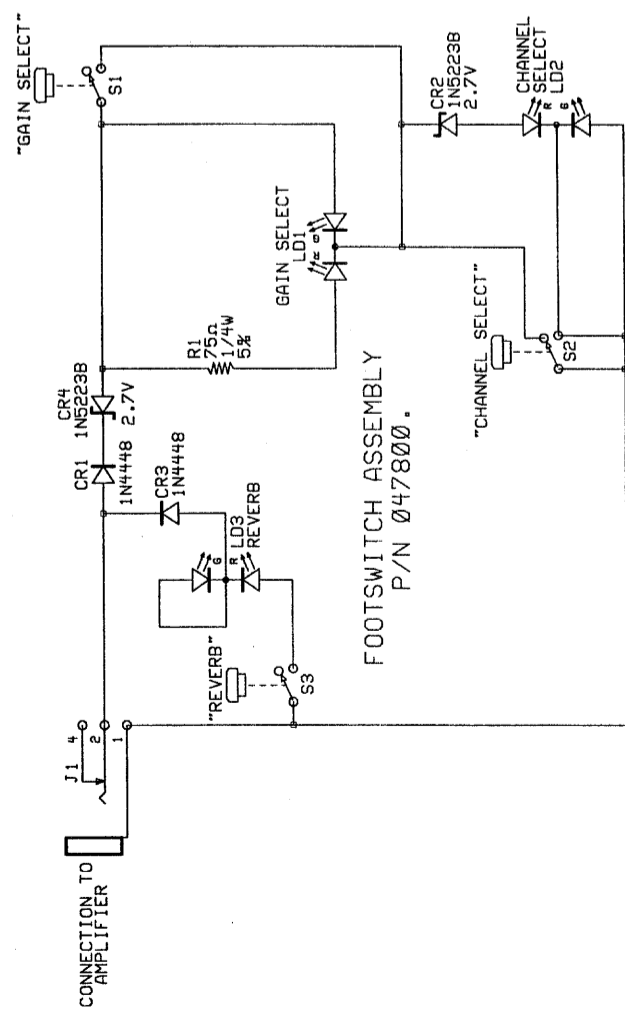
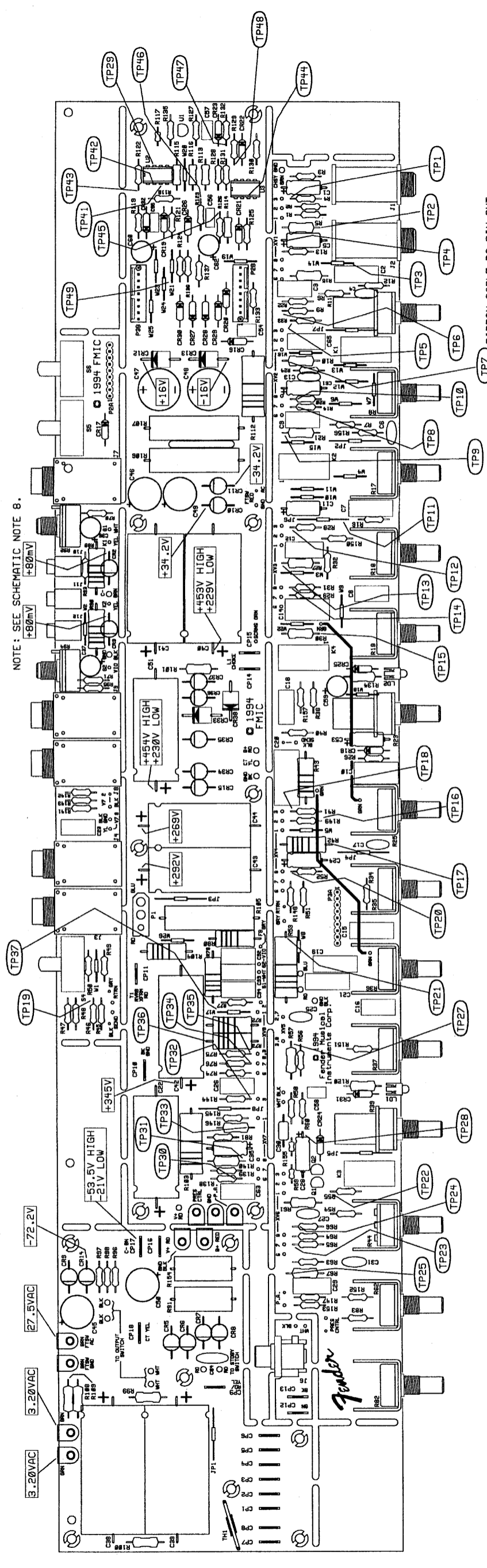
EXPORT TRANSFORMER WIRING DIAGRAM.

| EXPORT POWER TRANSFORMER P/N 049652 | WIRING |
|-------------------------------------|--------|
| 1.00V                               | S7B    |
| 2.30V                               | S7B    |
| 2.40V                               | S7B    |
| 50/60HZ 50/60HZ 50/60HZ             | S7B    |
| CP4                                 | CP6    |
| CP6                                 | CP6    |
| S7B                                 | CP7    |
| CP7                                 | S7B    |
| CP8                                 | CP8    |
| S7B                                 | S7B    |
| CP6                                 | CP8    |
| CP8                                 | S7B    |

FILM/DWG: SERVICE DIAGRAM  
 DATABASE: Z266P.DBF DATE: 20-JAN-99  
 LAYERS PLOTTED: 1 2 3 4 10 18

| ZONE | REV. | DESCRIPTION | DATE      | APPROVED |
|------|------|-------------|-----------|----------|
|      | B    | EC 1511     | 14-JUL-95 |          |
|      | C    | EC 1577     | 29-SEP-95 |          |
|      | D    | EC 2239     | 16-DEC-98 |          |

NOTE: SEE SCHEMATIC NOTE 8.



RIBBON CABLE P2 PIN-OUT.

| PIN NO. | CONNECTS NODE COMMON TO:                        |
|---------|---|
| 1       | R112, C54, CR19 A, CR20 A, R133                 |
| 2       | J7 SHUNT, CR16 A, CR17 K                        |
| 3       | R119, R120, R134, S5 PIN 4, K1 K4 PIN 16, C60 - |
| 4       | S5 PIN 2, R136                                  |
| 5       | U2B PIN 7, R135, R137, S5 PIN 1                 |
| 6       | +16V SUPPLY TO S6 PIN 4                         |
| 7       | CR28 A, CR29 K, S6 PIN 2                        |
| 8       | -16V SUPPLY TO S6 PIN 1                         |
| 9       | FOOTSWITCH CIRCUITRY GROUND                     |

- (TP26) AT XV5 PINS 1&6 (BLUE WIRE).
- (TP38) AT XV10 PIN 3 (BROWN WIRE).
- (TP39) AT XV12 PIN 3 (BLUE WIRE).
- (TP40) AT MAIN SPEAKER JACK TIP (GREEN WIRE).

RIBBON CABLE P3 PIN-OUT.

| PIN NO. | CONNECTS NODE COMMON TO:                        |
|---------|---|
| 1       | +16V SUPPLY, C59 +, K1 K2 K4 PIN1               |
| 2       | R124, CR25 A, K2 PIN 16, C59 -                  |
| 3       | FTSW GND, C53 -, CR18 A, S2 PIN 2               |
| 4       | R128, C58, Q1 GATE                              |
| 5       | R119, R120, R134, S5 PIN 4, K1 K4 PIN 16, C60 - |
| 6       | CR27 K, CR28 K, K3 PIN 1                        |
| 7       | +16V SUPPLY, CR31 A                             |
| 8       | CR29 A, CR30 A, K3 PIN 16                       |
| 9       | R124, CR25 A, K2 PIN 16, C59 -                  |

NOTES:  
 1.) PCB SHOWN AS FABRICATED BEFORE BREAKAWAYS ARE PLACED IN CHASSIS.  
 2.) WIRES NOT SHOWN FOR CLARITY.

PROPRIETARY  
 THIS DRAWING DOCUMENT CONTAINS  
 INFORMATION WHICH IS PROPRIETARY  
 TO FENDER MUSICAL INSTRUMENTS CO.  
 WITHOUT THE EXPRESSED WRITTEN  
 PERMISSION OF FENDER MUSICAL  
 INSTRUMENTS CO., THIS INFORMATION  
 IS TO BE KEPT CONFIDENTIAL.

CHECKED BY: *[Signature]*  
 DATE: 1/19/99

APPROVED: *[Signature]*  
 DATE: 1/19/99

TOLERANCES:  
 X.X .001"  
 X.XX .0005"  
 X.XXX .0001"  
 ANGLES 50 50/80°

MUSICAL INSTRUMENTS  
 2621 Research Drive  
 Corona, CA 91726 USA

TITLE: SERVICE DIAGRAM,  
 TWIN AMP.

SIZE: DRAWN: WILKENS  
 ENGR: WILKENS  
 DRAWING NUMBER: 047769  
 REV. D

SCALE: NONE PLOTTED: 20-JAN-99 SHEET 1 OF 1

