


REVISIONS			
REV.	DESCRIPTION	DATE	APPROVED
A	PR328	26-OCT-98	RMP

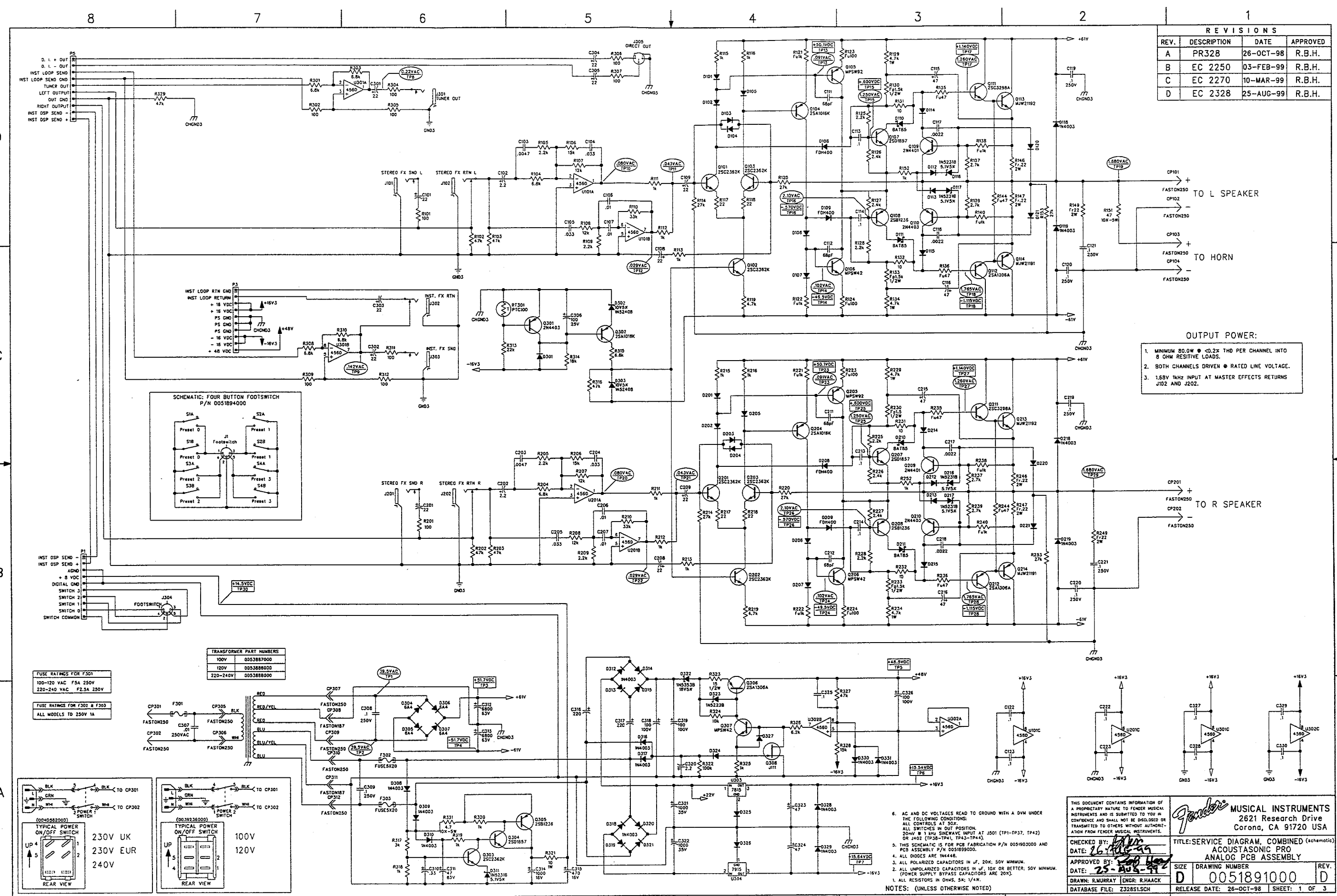
1. SEE SHEET 1 NOTES FOR:  
 1) TEST CONDITIONS  
 2) TEST POINT VALUES.  
 3) LIST OF COMPONENTS STUFFED.

NOTES: (UNLESS OTHERWISE NOTED)

FILM/DWG: SERVICE DIAGRAM  
 DATABASE: Z328P2.PCB DATE: 26-OCT-98

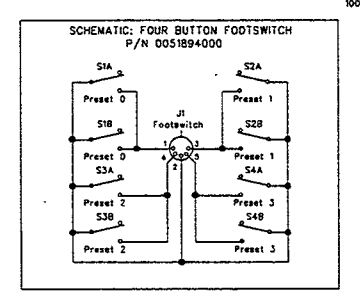
THIS DOCUMENT CONTAINS INFORMATION OF A PROPRIETARY NATURE TO FENDER MUSICAL INSTRUMENTS AND IS SUBMITTED TO YOU IN CONFIDENCE AND SHALL NOT BE DISCLOSED OR TRANSMITTED TO OTHERS WITHOUT AUTHORIZATION FROM FENDER MUSICAL INSTRUMENTS.		 <b>MUSICAL INSTRUMENTS</b> 2621 Research Drive Corona, CA 91720 USA	
CHECKED BY: <u>B. Davis</u> DATE: <u>23-OCT-98</u>		TITLE: SERVICE DIAGRAM, COMBINED (PCB assy) ACOUSTASONIC PRO DSP	
APPROVED BY: <u>R. Povinmire</u> DATE: <u>23-OCT-98</u>		SIZE <b>B</b>	DRAWING NUMBER <b>0051890000</b>
DRAWN: R. Povinmire ENGR: R. Povinmire DATABASE FILE: Z328P2.PCB		RELEASE DATE: 26-OCT-98	REV. <b>A</b> SHEET 3 OF 3

REVISIONS			
REV.	DESCRIPTION	DATE	APPROVED
A	PR328	26-OCT-98	R.B.H.
B	EC 2250	03-FEB-99	R.B.H.
C	EC 2270	10-MAR-99	R.B.H.
D	EC 2328	25-AUG-99	R.B.H.



**OUTPUT POWER:**

1. MINIMUM 80.0W @  $\pm 0.2X$  THD PER CHANNEL INTO 8 OHM RESISTIVE LOADS.
2. BOTH CHANNELS DRIVEN @ RATED LINE VOLTAGE.
3. 1.88V 1kHz INPUT AT MASTER EFFECTS RETURNS J102 AND J202.

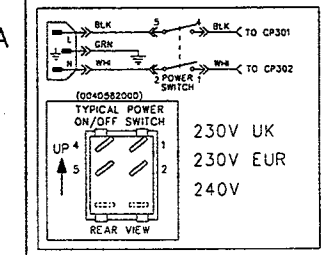


**FUSE RATINGS FOR F301**  
 100-120 VAC F5A 250V  
 220-240 VAC F2.5A 250V

**FUSE RATINGS FOR F302 & F303**  
 ALL MODELS TO 250V 1A

**TRANSFORMER PART NUMBERS**

100V	0053887000
120V	0053888000
220-240V	0053889000



- NOTES: (UNLESS OTHERWISE NOTED)**
1. ALL RESISTORS IN OHMS, 5% 1/4W.
  2. ALL UNPOLARIZED CAPACITORS IN  $\mu$ F, 10% OR BETTER; 50V MINIMUM. (POWER SUPPLY BYPASS CAPACITORS ARE 20K).
  3. ALL POLARIZED CAPACITORS IN  $\mu$ F, 20% 50V MINIMUM.
  4. ALL DIODES ARE 1N4448.
  5. THIS SCHEMATIC IS FOR PCB FABRICATION P/N 0051893000 AND PCB ASSEMBLY P/N 0051899000.
  6. AC AND DC VOLTAGES READ TO GROUND WITH A DVM UNDER THE FOLLOWING CONDITIONS:  
 ALL CONTROLS AT 50%  
 ALL SWITCHES IN OUT POSITION.  
 20mV  $\pm$  1mV SINEWAVE INPUT AT J501 (TP1-TP3, TP42) OR J402 (TP38-TP41, TP42-TP43).

THIS DOCUMENT CONTAINS INFORMATION OF A PROPRIETARY NATURE TO FENDER MUSICAL INSTRUMENTS AND IS SUBMITTED TO YOU IN CONFIDENCE AND SHALL NOT BE DISCLOSED OR TRANSMITTED TO OTHERS WITHOUT AUTHORIZATION FROM FENDER MUSICAL INSTRUMENTS.

**Fender MUSICAL INSTRUMENTS**  
 2621 Research Drive  
 Corona, CA 91720 USA

CHECKED BY: *[Signature]*  
 DATE: 26-10-98

APPROVED BY: *[Signature]*  
 DATE: 25-AUG-99

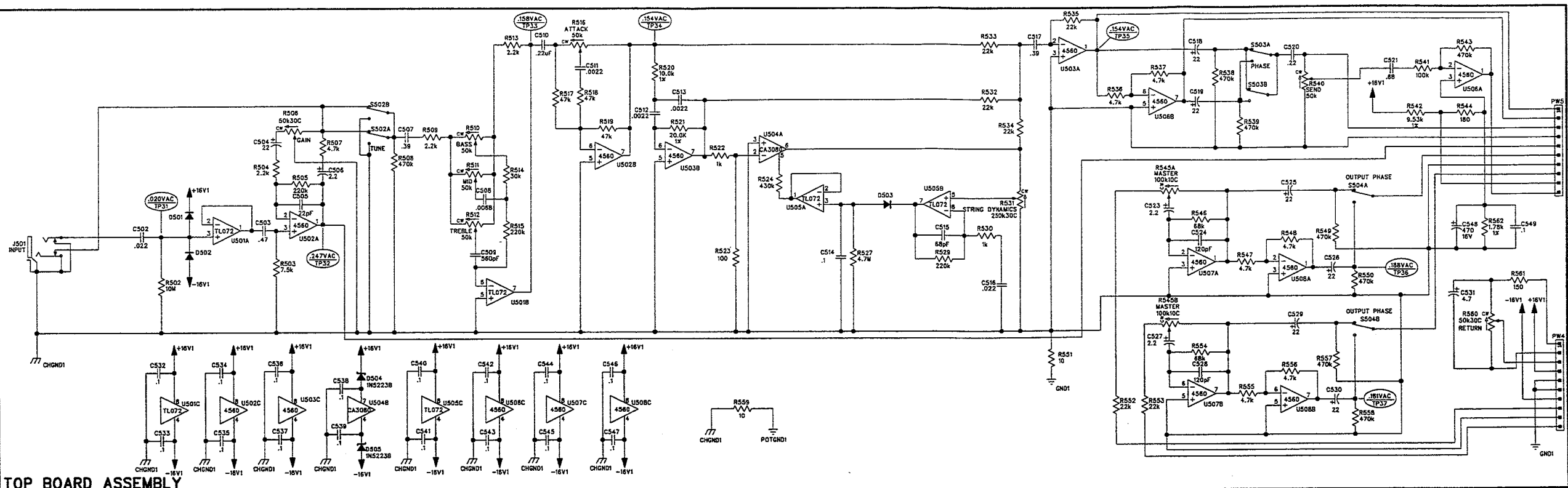
DRAWN: MURRAY ENGR: RHAACK  
 DATABASE FILE: Z3285LSCH

TITLE: SERVICE DIAGRAM, COMBINED (schematic)  
 ACOUSTASONIC PRO  
 ANALOG PCB ASSEMBLY

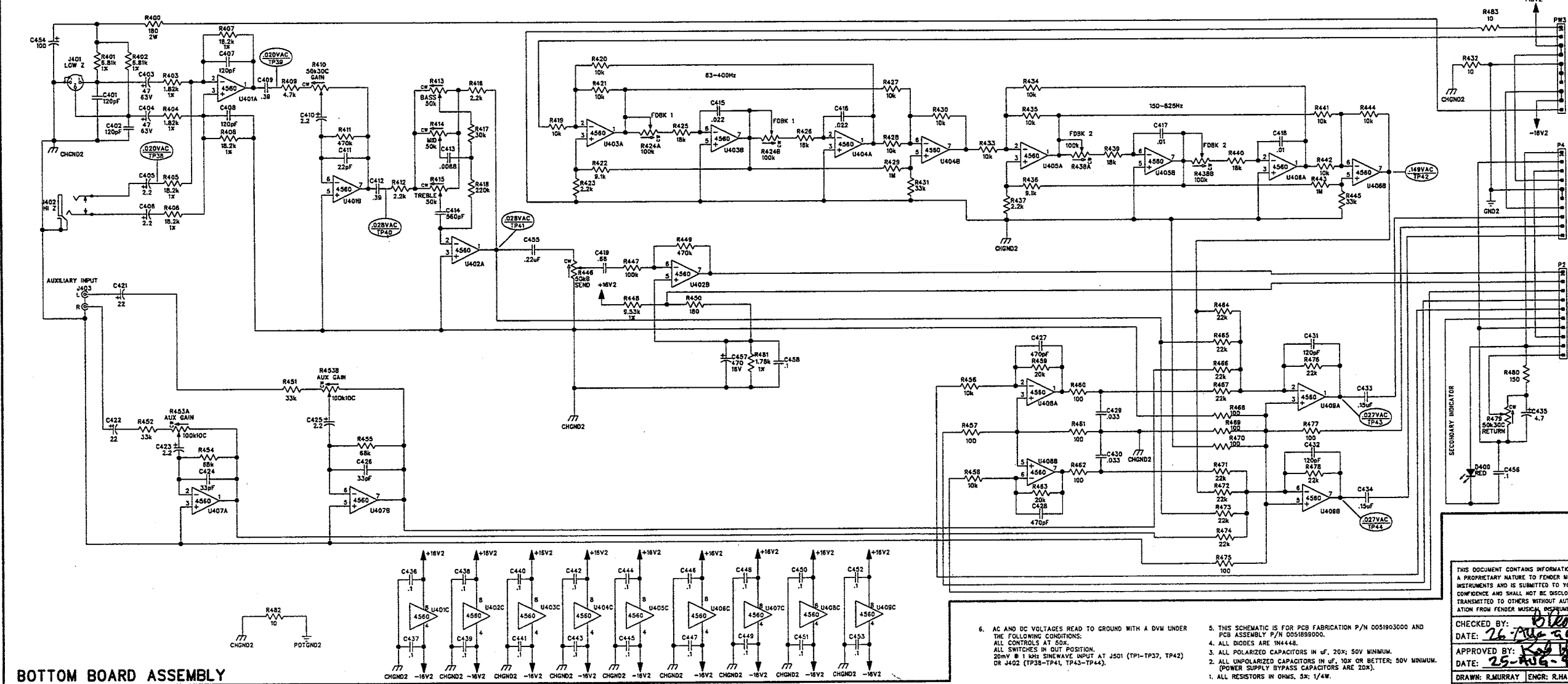
SIZE: D  
 DRAWING NUMBER: 0051891000  
 REV. D

RELEASE DATE: 26-OCT-98  
 SHEET: 1 OF 3

REVISIONS			
REV.	DESCRIPTION	DATE	APPROVED
A	PR328	26-OCT-98	R.B.H.
B	EC 2250	03-FEB-99	R.B.H.
C	EC 2270	10-MAR-99	R.B.H.
D	EC 2328	25-AUG-99	R.B.H.



TOP BOARD ASSEMBLY



BOTTOM BOARD ASSEMBLY

- D. L. + OUT
- D. L. - OUT
- INST LOOP SEND
- INST LOOP SEND GND
- TUNER OUT
- LEFT OUTPUT
- OUT GND
- RIGHT OUTPUT
- INST DSP SEND +
- INST DSP SEND -

- + 5 VDC (ADC)
- GND (ADC)
- INST FX RTN (ADC)
- + 16 VDC
- PS GND
- PS GND
- 16 VDC
- + 16 VDC
- TO LEFT LEVEL CONTROL
- LEVEL CONTROL GND
- TO RIGHT LEVEL CONTROL

- MIC DSP SEND +
- MIC DSP SEND -
- R DSP OUT
- AGND
- L DSP OUT
- SECONDARY INDICATOR
- GND (ADC)
- INST FX RTN (ADC)
- + 5VDC (ADC)
- MIC FX RTN (ADC)

6. AC AND DC VOLTAGES READ TO GROUND WITH A DVM UNDER THE FOLLOWING CONDITIONS:  
 ALL CONTROLS AT 50K.  
 ALL SWITCHES IN OUT POSITION.  
 200V @ 100V SINEWAVE INPUT AT J501 (TP1-TP33, TP42) OR J402 (TP38-TP41, TP43-TP44).

5. THIS SCHEMATIC IS FOR PCB FABRICATION P/N 0051893000 AND PCB ASSEMBLY P/N 0051893000.  
 4. ALL DIODES ARE 1N4148.  
 3. ALL POLARIZED CAPACITORS IN UF, 20% 50V MINIMUM.  
 2. ALL UNPOLARIZED CAPACITORS IN UF, 10% OR BETTER, 50V MINIMUM. (POWER SUPPLY BYPASS CAPACITORS ARE 20%).  
 1. ALL RESISTORS IN OHMS, 5% 1/4W

NOTES: (UNLESS OTHERWISE NOTED)

THIS DOCUMENT CONTAINS INFORMATION OF A PROPRIETARY NATURE TO FENDER MUSICAL INSTRUMENTS AND IS SUBMITTED TO YOU IN CONFIDENCE AND SHALL NOT BE DISCLOSED OR TRANSMITTED TO OTHERS WITHOUT AUTHORIZATION FROM FENDER MUSICAL INSTRUMENTS.

**Fender** MUSICAL INSTRUMENTS  
 2621 Research Drive  
 Corona, CA 91720 USA

CHECKED BY: *[Signature]*  
 DATE: 26-Aug-99  
 APPROVED BY: *[Signature]*  
 DATE: 25-Aug-99  
 DRAWN: R.MURRAY ENGR: R.HACK  
 DATABASE FILE: Z32851.SCH

TITLE: SERVICE DIAGRAM, COMBINED (schematic)  
 ACOUSTASONIC PRO  
 ANALOG PCB ASSEMBLY

SIZE: D  
 DRAWING NUMBER: 0051891000  
 REV: D

RELEASE DATE: 26-OCT-98 SHEET: 2 OF 3

8

7

6

5

4

3

2

1

REVISIONS			
REV.	DESCRIPTION	DATE	APPROVED
A	PR328	26-OCT-98	R.B.H.
B	EC 2250	03-FEB-99	R.B.H.
C	EC 2270	10-MAR-99	R.B.H.
D	EC 2328	25-AUG-99	R.B.H.

D

D

C

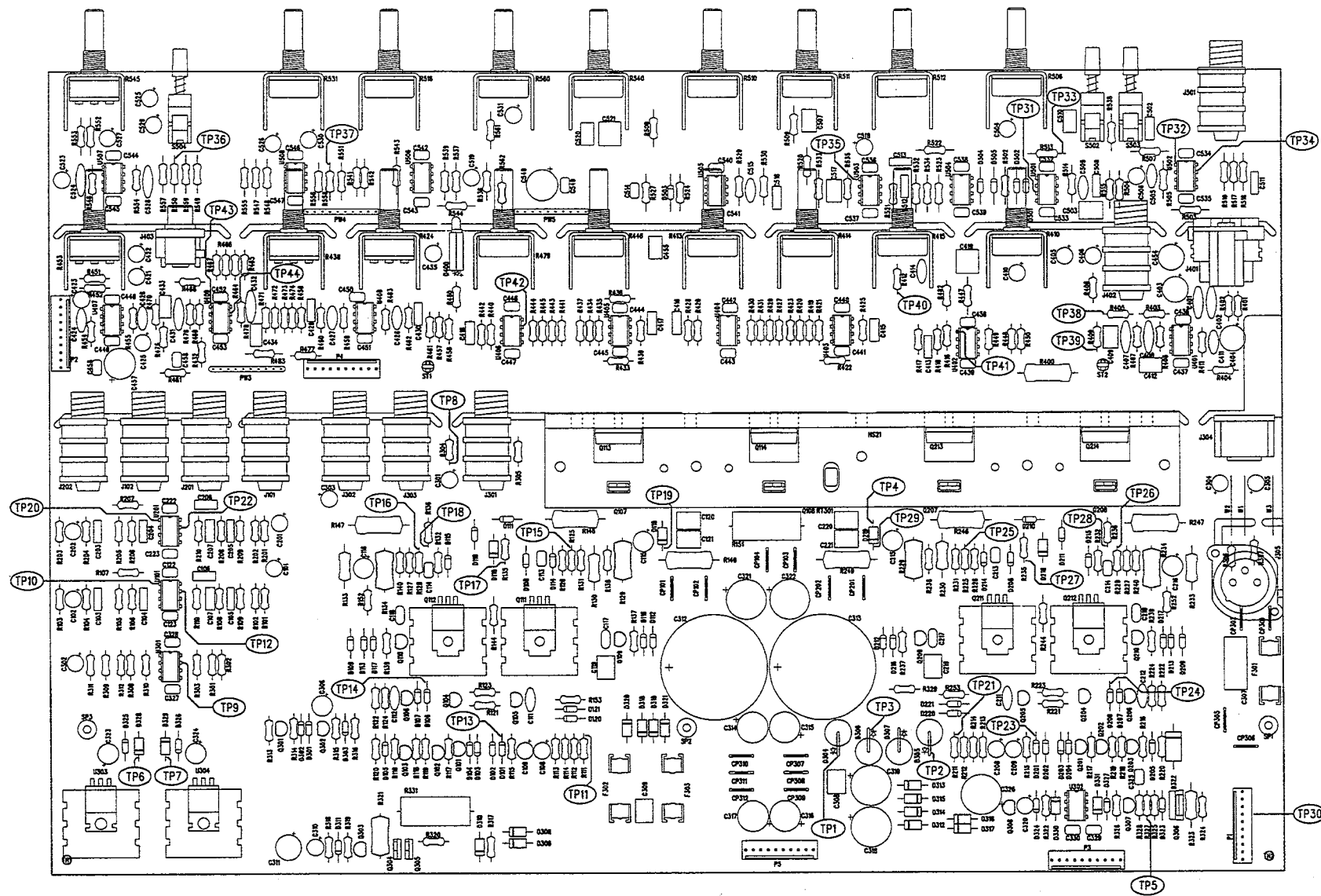
C

B

B

A

A



FILM/DWG: SERVICE DIAGRAM  
 DATABASE: Z328P1PCB DATE: 25-AUG-99

1. SEE SHEETS 1 & 2 FOR PRIMARY WIRING, TEST CONDITIONS AND TEST POINT VALUES.  
 NOTES: (UNLESS OTHERWISE NOTED)

<small>THIS DOCUMENT CONTAINS INFORMATION OF A PROPRIETARY NATURE TO FENDER MUSICAL INSTRUMENTS AND IS SUBMITTED TO YOU IN CONFIDENCE AND SHALL NOT BE DISCLOSED OR TRANSMITTED TO OTHERS WITHOUT AUTHORIZATION FROM FENDER MUSICAL INSTRUMENTS.</small>		<b>MUSICAL INSTRUMENTS</b> 2621 Research Drive Corona, CA 91720 USA	
CHECKED BY: <i>[Signature]</i> DATE: <i>16-08-99</i>		TITLE: SERVICE DIAGRAM, COMBINED (PCB assy) ACOUSTASONIC PRO ANALOG PCB ASSEMBLY	
APPROVED BY: <i>[Signature]</i> DATE: <i>25-AUG-99</i>		SIZE: <b>D</b>	DRAWING NUMBER: <b>0051891000</b>
DRAWN: R.MURRAY R.HACK		RELEASE DATE: 26-OCT-98	SHEET 3 OF 3
DATABASE FILE: Z328P1PCB		REV. <b>D</b>	

8

7

6

5

4

3

2

1