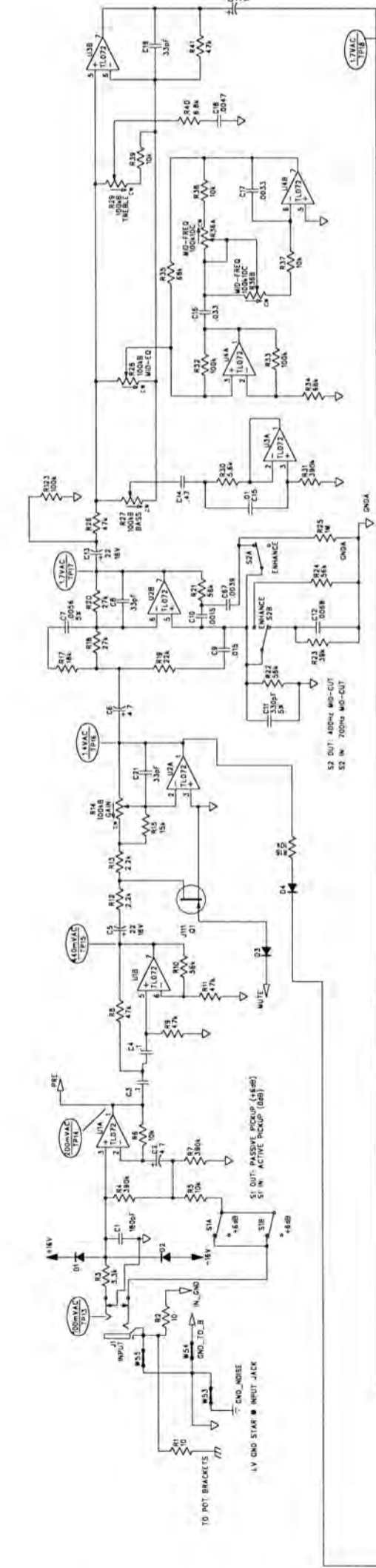
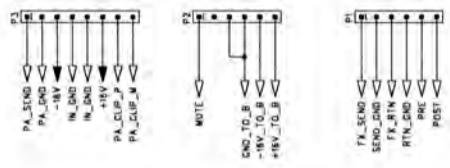
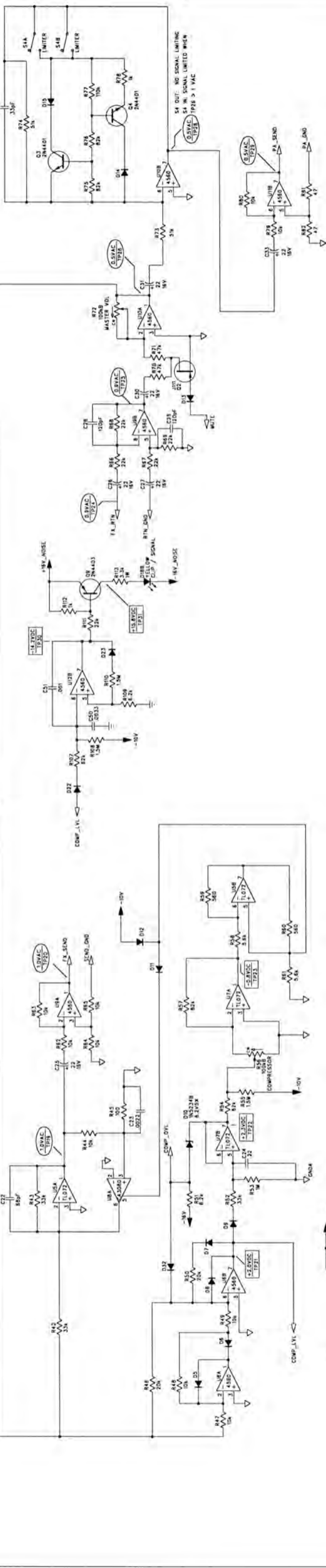


| REV. | DESCRIPTION | DATE | APPROVED |
|------|-------------|-----------|----------|
| A | PR420 | 27-JUL-99 | SMM |
| B | EC 2346 | 24-SEP-99 | SMM |

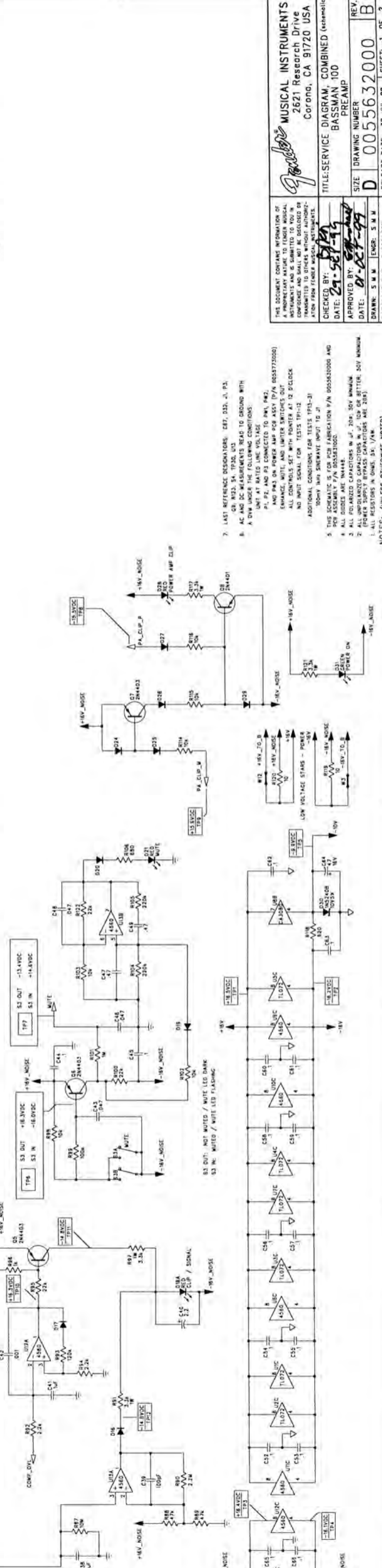
REVISIONS



D



C



B



A

7. LAST REFERENCE DESIGNATORS: C47, C52, J1, P3, Q1, R12, S1, T130, U13
8. AC AND DC MEASUREMENTS READ TO GROUND WITH A DVM UNDER THE FOLLOWING CONDITIONS:
- UNIT AT RATED LINE VOLTAGE
- P1, P2, AND P3 CONNECTED TO PK4, P47, AND P48 ON POWER AMP PCB ASSY (P/N RB37373000)
- RESISTORS AND CAPACITORS IN CIRCUIT TO BE TESTED AND NO INPUT SIGNAL FROM TESTS TP1-12
- ADDITIONAL CONDITIONS FOR TESTS TP1-12
- 100% HUM SIN WAVE INPUT TO J1
9. THIS SCHEMATIC IS FOR PCB FABRICATION P/N 0005630000 AND ALL DIMENSIONS ARE IN INCHES
10. ALL DIMENSIONS ARE IN INCHES
11. ALL DIMENSIONS ARE IN INCHES
12. ALL DIMENSIONS ARE IN INCHES
13. ALL DIMENSIONS ARE IN INCHES
14. ALL DIMENSIONS ARE IN INCHES

preamp

MUSICAL INSTRUMENTS
2621 Research Drive
Corona, CA 91720 USA

TITLE: SERVICE DIAGRAM, COMBINED (schematic)
BASSMAN 100
PREAMP

CHECKED BY: *[Signature]*
DATE: 29-SEP-99

APPROVED BY: *[Signature]*
DATE: 01-SEP-99

DRAWN: SMM ENGR: SMM

REVISIONS

REV. B
DRAWING NUMBER D 0055632000
SHEET: 1 OF 2

RELEASE DATE: 30-JUL-99

REVISIONS

REV. B
DRAWING NUMBER D 0055632000
SHEET: 1 OF 2

REVISIONS

REV. B
DRAWING NUMBER D 0055632000
SHEET: 1 OF 2

REVISIONS

REV. B
DRAWING NUMBER D 0055632000
SHEET: 1 OF 2

REVISIONS

REV. B
DRAWING NUMBER D 0055632000
SHEET: 1 OF 2

REVISIONS

REV. B
DRAWING NUMBER D 0055632000
SHEET: 1 OF 2

REVISIONS

REV. B
DRAWING NUMBER D 0055632000
SHEET: 1 OF 2

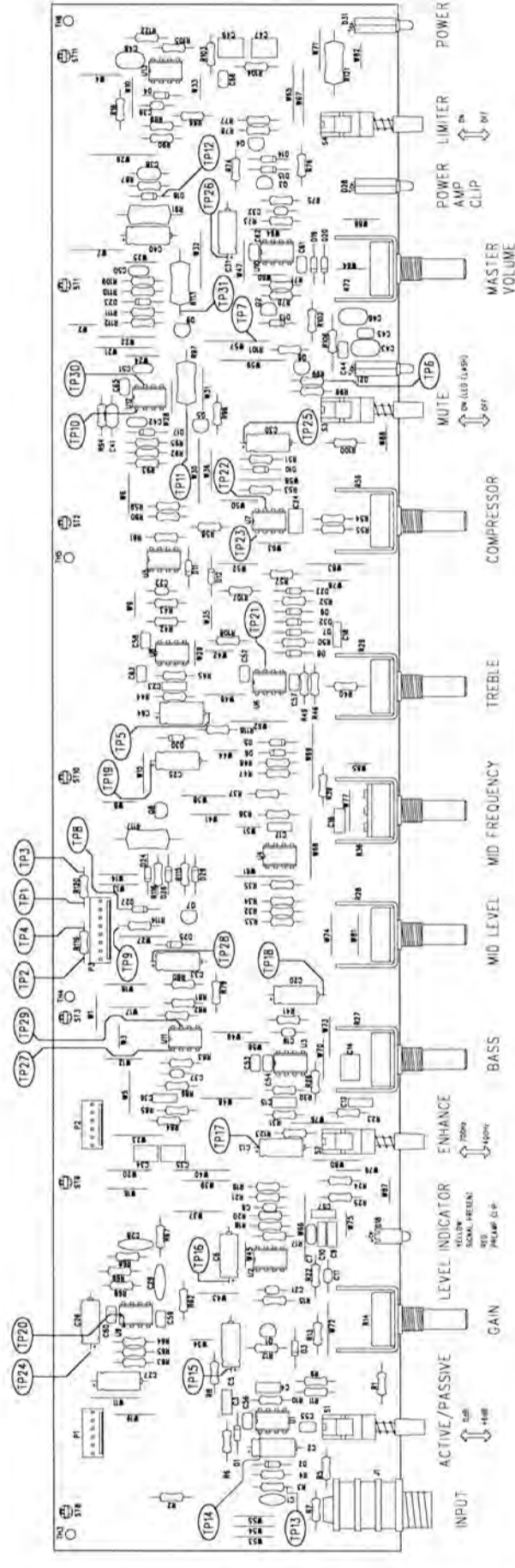
REVISIONS

REV. B
DRAWING NUMBER D 0055632000
SHEET: 1 OF 2

REVISIONS

REV. B
DRAWING NUMBER D 0055632000
SHEET: 1 OF 2

| REVISIONS | | | |
|-----------|-------------|-----------|----------|
| REV. | DESCRIPTION | DATE | APPROVED |
| A | PR420 | 30-JUL-89 | SM/AB |
| B | EC 2346 | 24-SEP-89 | SMM |



| | |
|--|--|
| | MUSICAL INSTRUMENTS 2621 Research Drive Corona, CA 91720 USA |
| | TITLE: SERVICE DIAGRAM, COMBINED (PCB assy) BASSMAN 100 PREAMP |
| CHECKED BY: <i>MSK</i> DATE: 24-SEP-89 | REV. B |
| APPROVED BY: <i>MSK</i> DATE: 01-DEC-89 | SIZE D |
| DRAWN: A. BARNAL ENGR: S. MARSHALL | DRAWING NUMBER 0055632000 |
| DATABASE FILE: 24SEP89 | RELEASE DATE: 30-JUL-89 |
| | SHEET 2 OF 2 |

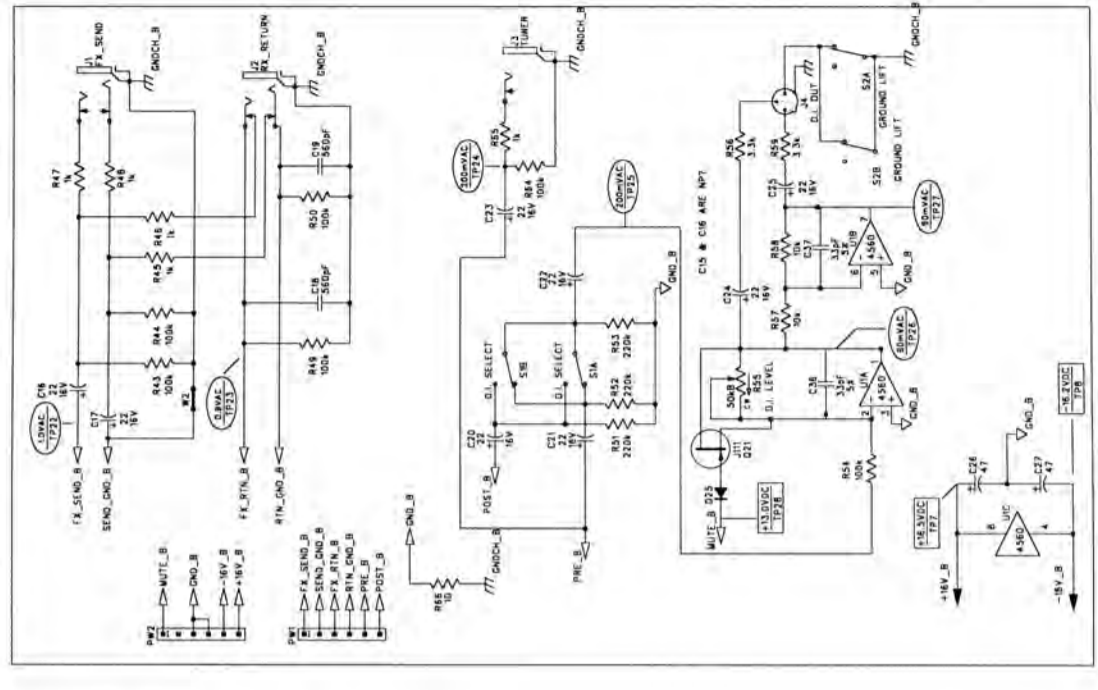
2. TP 22 AND 23 CONNECT TO BROWN CABLES FROM POWER AMP PCB ASSY (P.W. P.W.2 P.W.3 RESPECTIVELY)
1. SEE SHEET 1 FOR TEST CONDITIONS AND TEST POINT VALUES
NOTES: (UNLESS OTHERWISE NOTED)

SMM/MSK SERVICE DIAGRAM
DATE: 24-SEP-89

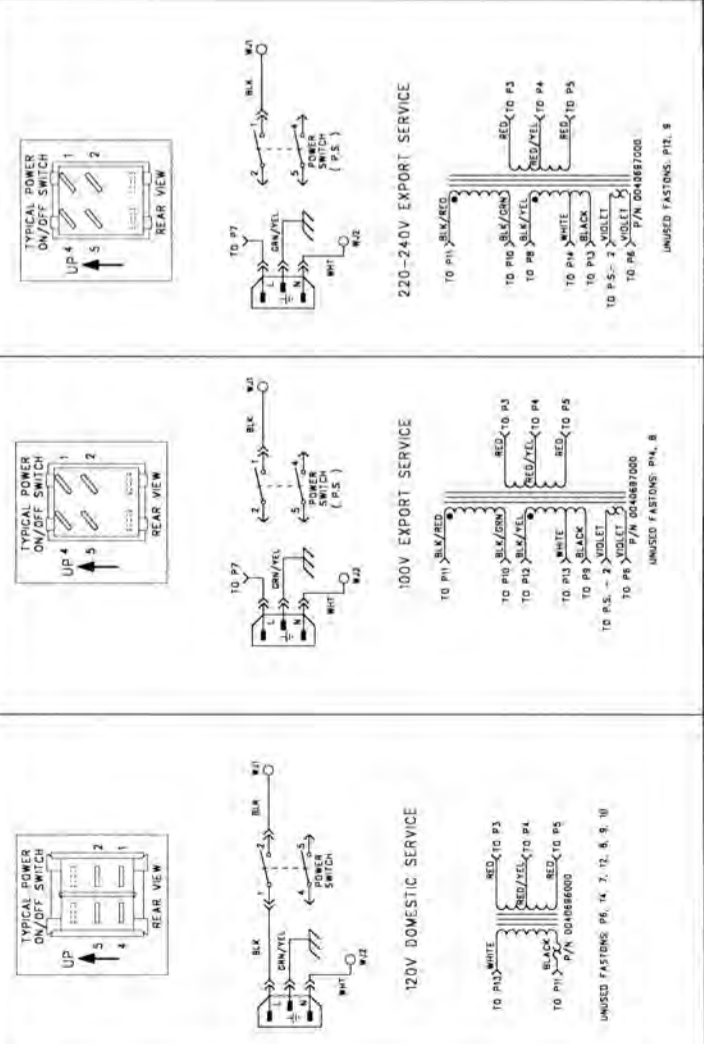
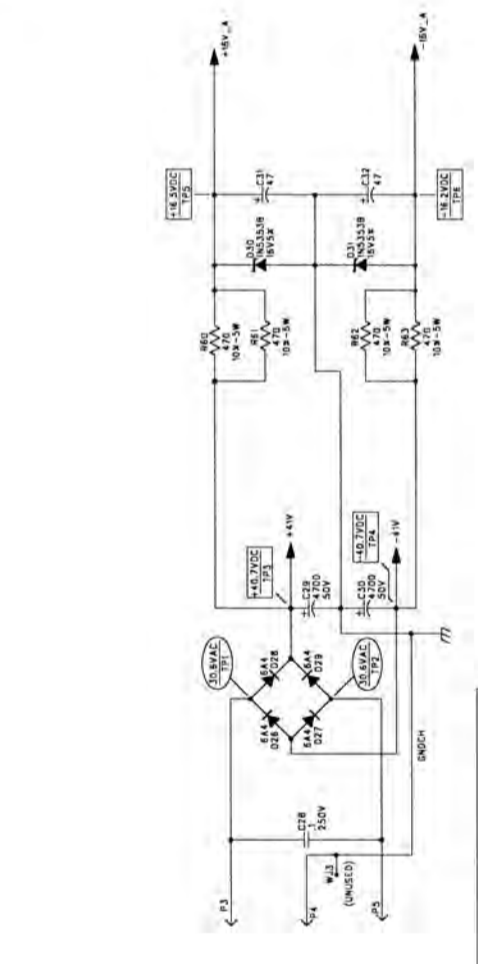
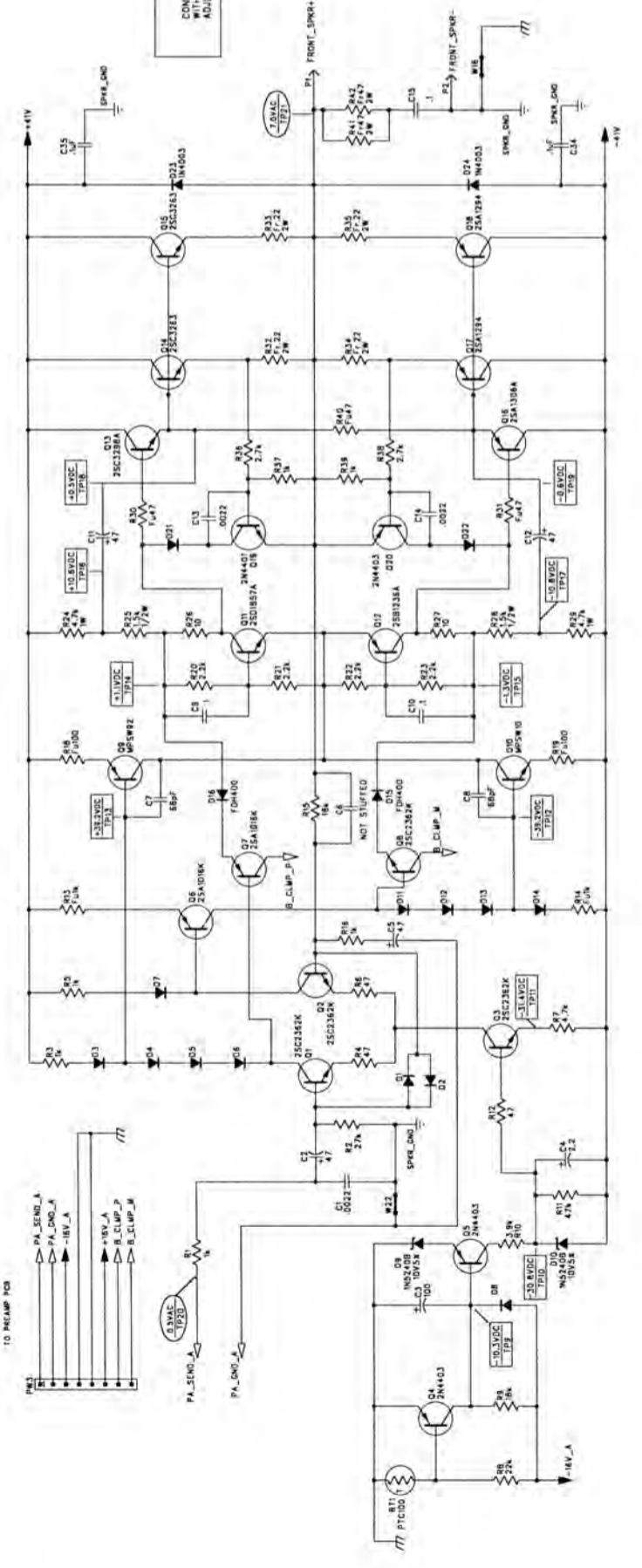
| REVISIONS | | | |
|-----------|-------------|-----------|----------|
| REV. | DESCRIPTION | DATE | APPROVED |
| A | PR420 | 27-JUL-99 | S M M |
| B | EC2363 | 18-NOV-99 | S M M |

OUTPUT POWER TEST:
CONNECT A 100 W SINEWAVE SIGNAL TO J2. SET MASTER VOLUME ON FRONT TO MAX (CW). WITH A 4 OHM LOAD CONNECTED TO P1/P2 AND UNIT AT RATED AC LINE INPUT ADJUST INPUT SIGNAL TO VERIFY 100 WATTS AT 100 Hz.

BACK PANEL CIRCUITRY - ON BREAKAWAY PCB



7. LAST REFERENCE DESIGNATORS: C37 D31 E1 J4 P10 P15 P20 P21 R88 R71 U1 U3 W13 Y232
 8. COMPONENTS NOT SHOWN: C6, W13, D17-20
 9. AC AND DC MEASUREMENTS READ TO CROUND WITH A 0.01 OHM UNDER THE FOLLOWING CONDITIONS:
 - UNIT IS POWERED AT RATED LINE VOLTAGE AND FREQUENCY
 - OHM RESISTIVE LOAD CONNECTED ACROSS P1-P2
 - NO INPUT SIGNAL FOR DC TESTS (TH-19)
 - ADDITIONAL CONDITIONS FOR AC TESTS (CP20-28)
 10. DIMENSIONS SHOULD BE SET UP PER THE SERVICE DIAGRAM (P/A 004887000)
 11. RAS SET FULL ON
 12. REAR PANEL SWITCHES OUT
 13. INPUT 100V-AC RMS SINEWAVE INTO PREAMP PCB ASSY - J1 (INPUT)
 14. NOTE: P1, P2, AND P3 INTERCONNECTS TO P1, P2, AND P3 RESPECTIVELY ON THE PREAMP PCB.
 15. THIS SCHEMATIC IS FOR PCB P/N 004887000 AND PCB ASSY P/N 0048873000
 16. ALL POLARIZED CAPACITORS IN W, D, OR BETTER, 50V MINIMUM (POWER SUPPLY BYPASS CAPACITORS ARE 200V)
 17. ALL RESISTORS IN DIMS, SK, I/AK
- NOTES: (UNLESS OTHERWISE NOTED)



MUSICAL INSTRUMENTS
2621 Research Drive
Corona, CA 91720 USA

TITLE: SERVICE DIAGRAM, COMBINED (schematic)
BASSMAN 100
POWER AMP

CHECKED BY: *[Signature]*
DATE: 22-NOV-95

APPROVED BY: *[Signature]*
DATE: 22-NOV-95

DRAWN: S M M ENR: S M M
DATABASE FILE: Z42057.SCH

SIZE: D
DRAWING NUMBER: 0055774000
REV. B

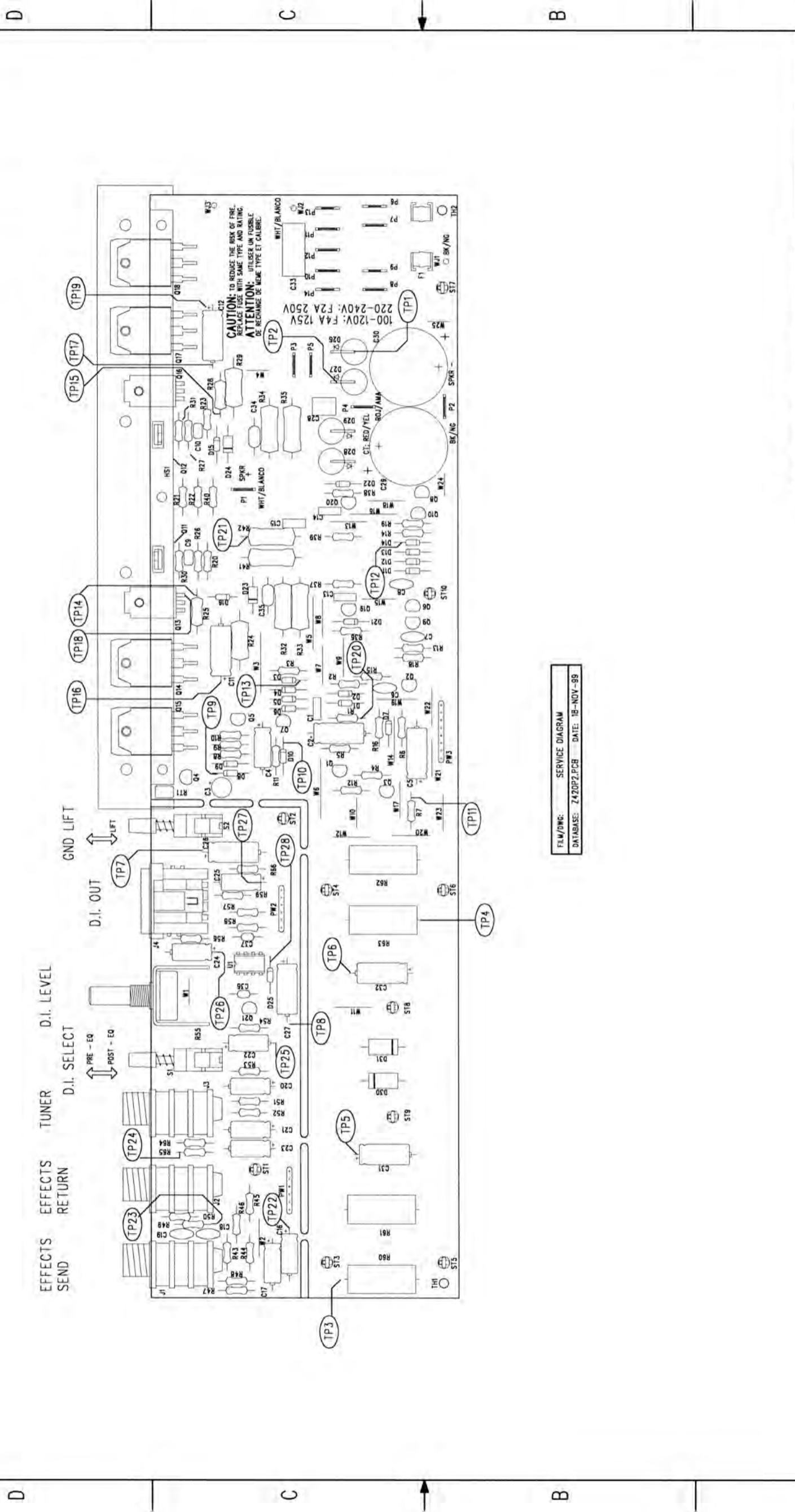
RELEASE DATE: 30-JUL-99 SHEET: 1 OF 2

1 2 3 4 5 6 7 8

1 2 3 4 5 6 7 8

8 7 6 5 4 3 2 1

| REVISIONS | | | |
|-----------|-------------|-----------|----------|
| REV. | DESCRIPTION | DATE | APPROVED |
| A | PR420 | 30-JUL-99 | S M M |
| B | EC 2363 | 18-NOV-99 | S M M |



FILM/DWG: SERVICE DIAGRAM
 DATABASE: Z420P2.PCB DATE: 18-NOV-99

THIS DOCUMENT CONTAINS INFORMATION OF A PROPRIETARY NATURE TO FENDER MUSICAL INSTRUMENTS AND IS SUBMITTED TO YOU IN CONFIDENCE AND SHALL NOT BE DISCLOSED OR TRANSMITTED TO OTHERS WITHOUT AUTHORIZATION FROM FENDER MUSICAL INSTRUMENTS.

CHECKED BY: *B. Dees*
 DATE: 22-NOV-99

APPROVED BY: *Alfred...*
 DATE: 22 Nov 99

DRAWN: S M M ENGR: S M M
 DATABASE FILE: Z420P2.PCB

MUSICAL INSTRUMENTS
 2621 Research Drive
 Corona, CA 91720 USA

TITLE: SERVICE DIAGRAM, COMBINED (PCB assy)
 BASSMAN 100
 POWER AMP

SIZE: C DRAWING NUMBER: 0055774000
 REV. B

RELEASE DATE: 30-JUL-99 SHEET 2 OF 2

2. RIBBON CABLES AT PW1, PW2, PW3 CONNECT TO PREAMP PCB ASSY (P1, P2, P3 RESPECTIVELY)
1. SEE SHEET 1 FOR PRIMARY WIRING, TEST CONDITIONS, AND TEST POINT VALUES

NOTES: (UNLESS OTHERWISE NOTED)

8 7 6 5 4 3 2 1