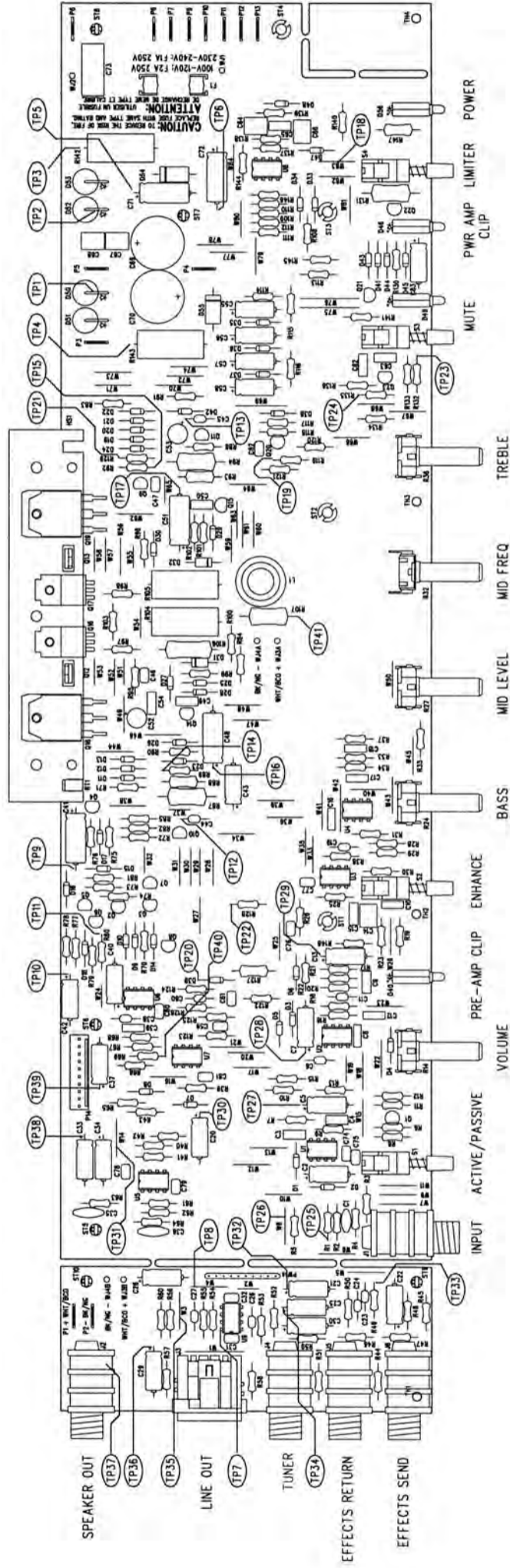


REVISIONS			
REV.	DESCRIPTION	DATE	APPROVED
A	PR 421	03-SEP-99	S.B.
B	EC 2382	17-DEC-99	S.B.



<p>THIS DOCUMENT CONTAINS INFORMATION OF A PROPRIETARY NATURE TO FENDER MUSICAL INSTRUMENTS AND IS SUBMITTED TO YOU IN CONFIDENCE AND SHALL NOT BE REPRODUCED OR TRANSMITTED IN ANY FORM OR BY ANY MEANS WITHOUT THE WRITTEN PERMISSION OF FENDER MUSICAL INSTRUMENTS.</p>		<p>MUSICAL INSTRUMENTS 2621 Research Drive Corona, CA 91720 USA</p>	
<p>CHECKED BY: <i>B. W.</i> DATE: <i>20-DEC-99</i></p>		<p>TITLE: SERVICE DIAGRAM, COMBINED (PCBassy) BASSMAN 60 AMPLIFIER</p>	
<p>APPROVED BY: <i>S. B.</i> DATE: <i>12-20-99</i></p>		<p>SIZE: DRAWING NUMBER D 0055648000</p>	
<p>DRAWN: S. B. ENGR: S. B.</p>		<p>RELEASE DATE: 03-SEP-99 SHEET 2 OF 2</p>	

1. SEE SHEET 1 FOR PRIMARY WIRING, TEST CONDITIONS, AND TEST POINT VALUES
NOTES: (UNLESS OTHERWISE NOTED)