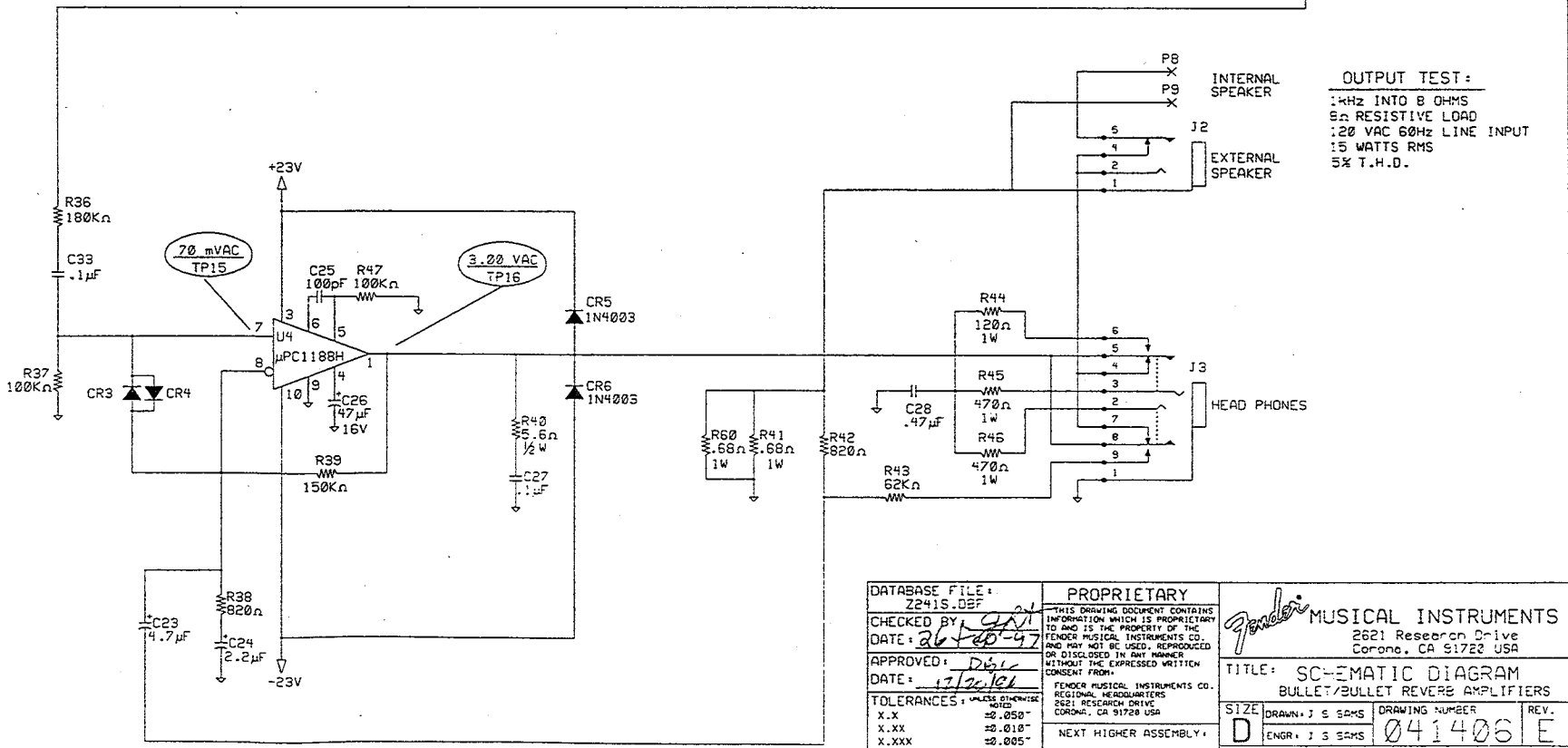
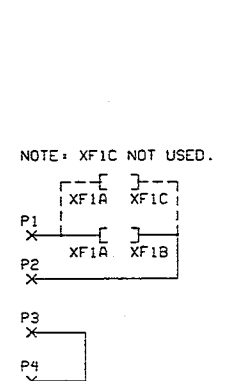
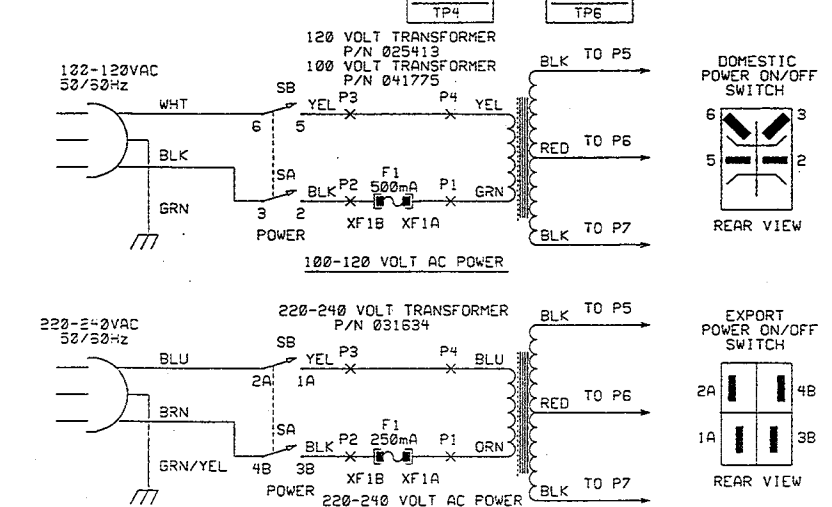
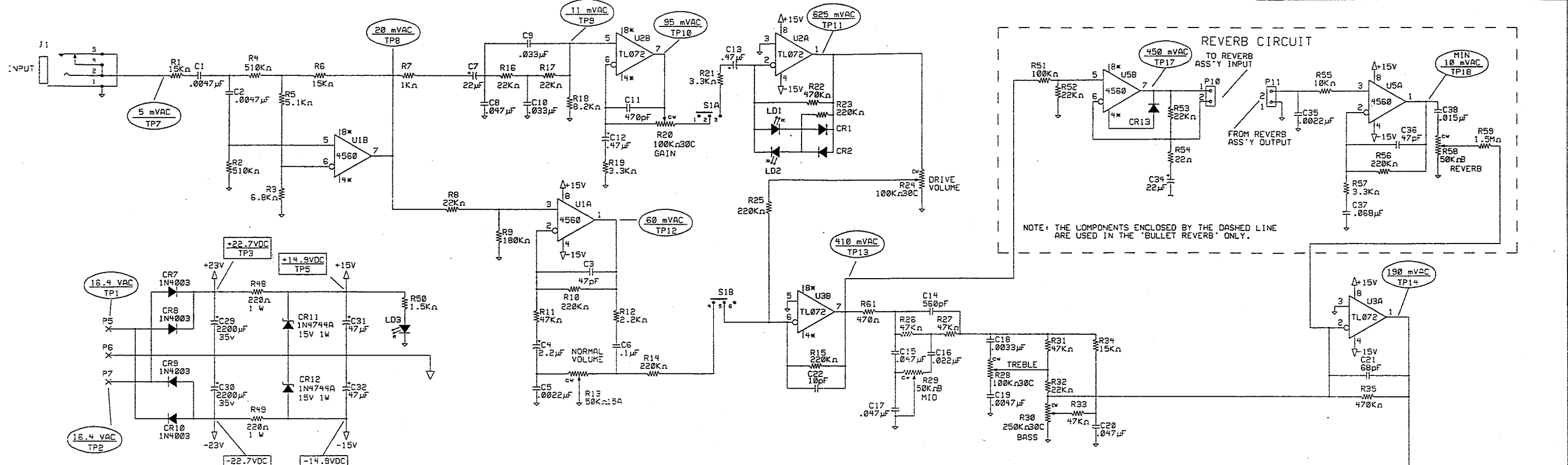


REVISIONS				
ZONE	REV.	DESCRIPTION	DATE	APPROVED
	A	PR 241	4/2/93	JSS
	B	CC 1015	7/1/93	JSS
	C	CC 1042	9/15/93	MH
	D	EC 1114	10-FEB-94	MDW
	E	LC 1771	28-AUG-96	DBL



NOTES: UNLESS OTHERWISE SPECIFIED.

- ALL RESISTORS 1/4W, ± 5%.
- ALL CAPACITORS 50V MINIMUM.
- ALL DIODES 1N4448.
- DC VOLTAGES READ TO GROUND WITH A DVM, NO INPUT SIGNAL.
- AC VOLTAGE READINGS TAKEN WITH DVM TO GROUND UNDER THE FOLLOWING CONDITIONS:
 - 1KHz INPUT APPLIED THROUGH 1/4" PLUG TO J1
 - 2Ω RESISTIVE LOAD CONNECTED AT P8, P9
 - GAIN AT 9 O'CLOCK
 - ALL OTHER CONTROLS SET TO 12 O'CLOCK
 - FOR BULLET REVERB ONLY:
 - REVERB UNIT CONNECTED
 - REVERB AT "0"

OUTPUT TEST:

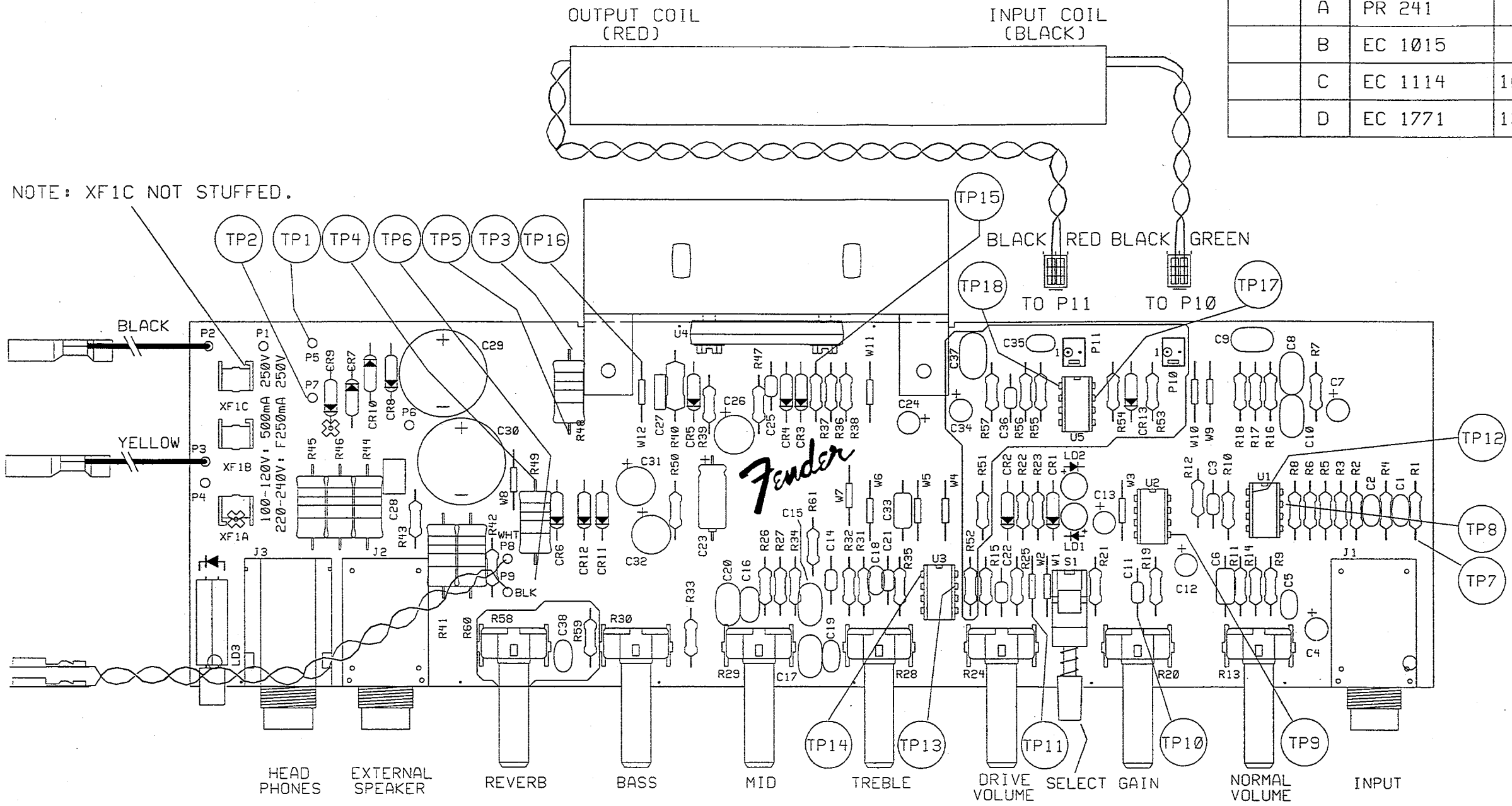
- 1KHz INTO 8 OHMS
- 8Ω RESISTIVE LOAD
- 120 VAC 60Hz LINE INPUT
- 15 WATTS RMS
- 5% T.H.D.

DATABASE FILE: ZP415.DBF CHECKED BY: <i>DBL</i> DATE: <i>11/20/92</i> APPROVED: <i>DBL</i> TOLERANCES: UNLESS OTHERWISE NOTED X.X ±0.05" X.XX ±0.01" X.XXX ±0.005" ANGLES ±0.500°	PROPRIETARY THIS DRAWING DOCUMENT CONTAINS INFORMATION WHICH IS PROPRIETARY TO AND IS THE PROPERTY OF THE FENDER MUSICAL INSTRUMENTS CO. AND MAY NOT BE USED, REPRODUCED OR DISCLOSED IN ANY MANNER WITHOUT THE EXPRESSED WRITTEN CONSENT FROM: FENDER MUSICAL INSTRUMENTS CO. REGIONAL HEADQUARTERS 3521 RESEARCH DRIVE CORONA, CA 91728 USA	Fender MUSICAL INSTRUMENTS 2621 Research Drive Corona, CA 91728 USA TITLE: SCHEMATIC DIAGRAM BULLET/BULLET REVERB AMPLIFIERS SIZE: D DRAWN: J S SAMS DRAWING NUMBER: 041406 REV: E ENGR: J S SAMS SCALE: N/A CREATED: 11/18/92 PLOTTED: 28-DEC-93 15:55:11 OF 1
--	--	---

PART NO 0041407000 SHEET 1 OF 1

REVISIONS

ZONE	REV.	DESCRIPTION	DATE	APPROVED
	A	PR 241	4/02/93	JSS
	B	EC 1015	6/21/93	JSS
	C	EC 1114	10-FEB-94	MDW
	D	EC 1771	13-DEC-96	DBL



NOTE: XF1C NOT STUFFED.

FILM/DWG: SERVICE DIAGRAM				
DATABASE: Z241P.DBF		DATE: 20-DEC-96		
LAYERS PLOTTED: 1	2	3	4	10
18				

NOTE: THE FOLLOWING PCB COMPONENTS ARE USED IN THE BULLET REVERB AMPLIFIER ONLY: C34-C38, CR13, R51-R59, P10, P11, U5 THESE COMPONENTS ARE SHOWN ENCLOSED IN BOXES ABOVE AND ON THE PCB.

DATABASE FILE: Z241P.DBF	
CHECKED BY: <i>JHL</i>	
DATE: <i>26-Feb-97</i>	
APPROVED: <i>DBL</i>	
DATE: <i>12/20/96</i>	
TOLERANCES: UNLESS OTHERWISE NOTED	
X.X	±0.050"
X.XX	±0.010"
X.XXX	±0.005"
ANGLES	±0.500°

PROPRIETARY

THIS DRAWING DOCUMENT CONTAINS INFORMATION WHICH IS PROPRIETARY TO AND IS THE PROPERTY OF THE FENDER MUSICAL INSTRUMENTS CO. AND MAY NOT BE USED, REPRODUCED OR DISCLOSED IN ANY MANNER WITHOUT THE EXPRESSED WRITTEN CONSENT FROM:

FENDER MUSICAL INSTRUMENTS CO.
REGIONAL HEADQUARTERS
2621 RESEARCH DRIVE
CORONA, CA 91720 USA

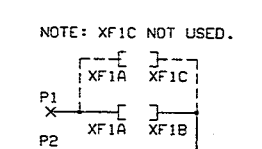
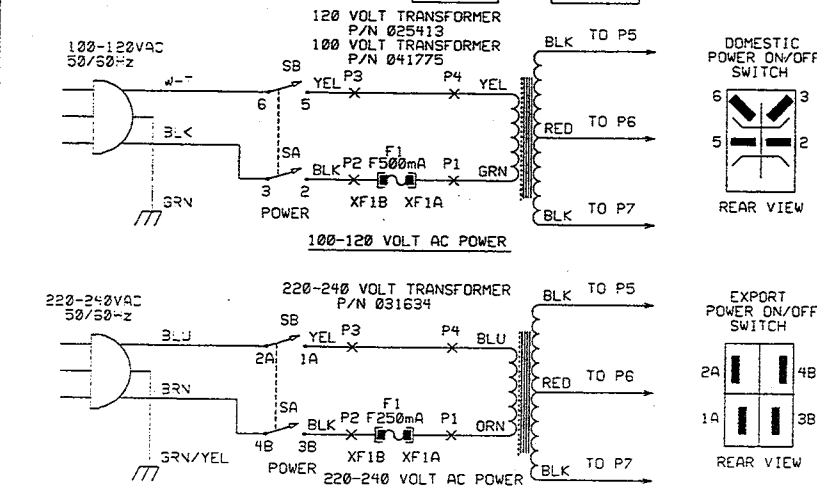
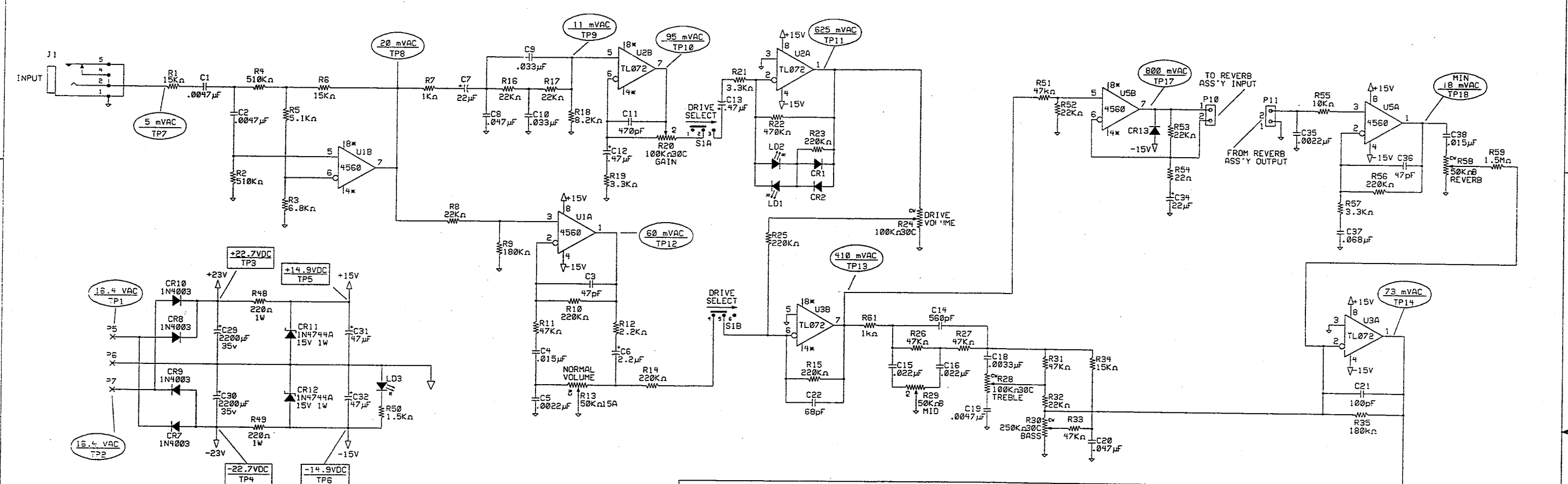
NEXT HIGHER ASSEMBLY:

Fender MUSICAL INSTRUMENTS
2621 Research Drive
Corona, CA 91720 USA

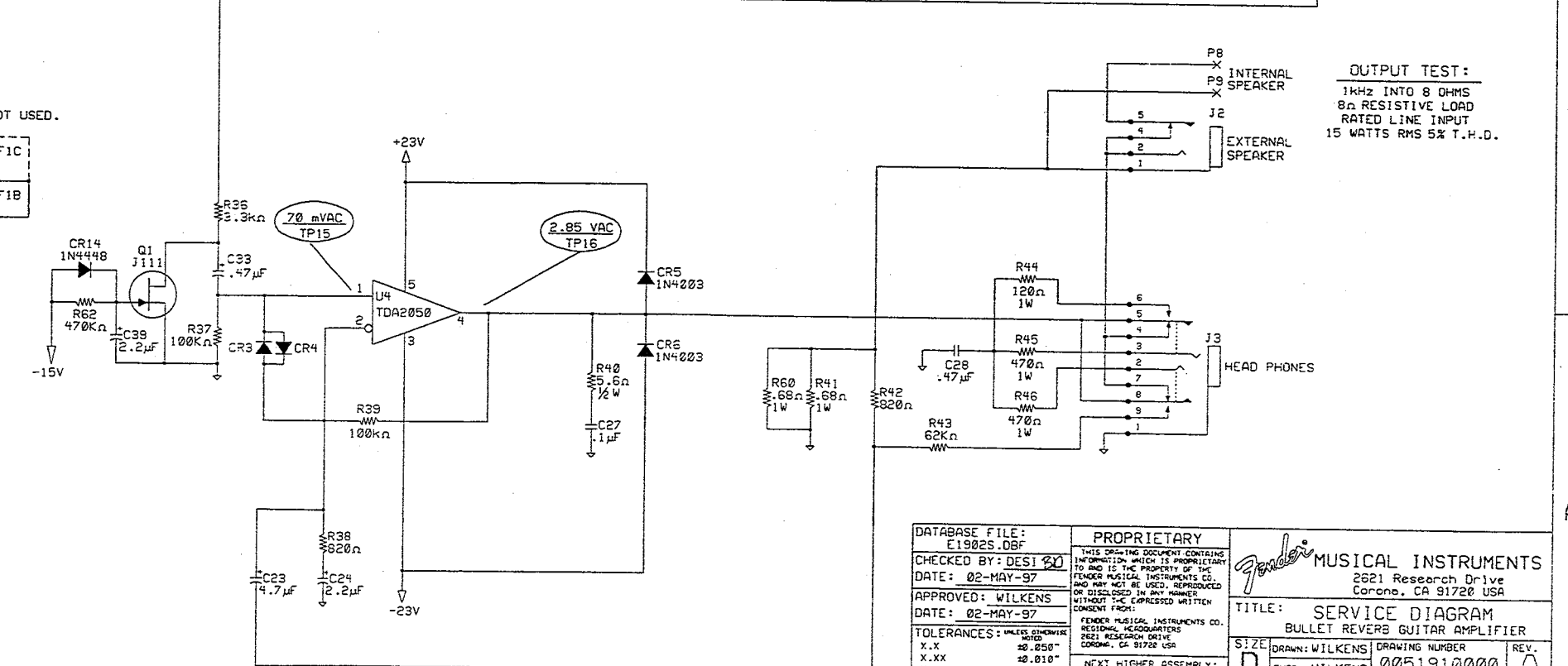
TITLE: BULLET GUITAR AMPLIFIERS
SERVICE DIAGRAM

SIZE	DRAWN: D.LEWIS	DRAWING NUMBER	REV.
B	ENGR: D.LEWIS	041408	D
SCALE: N/A	CREATED: 8/23/96	PLOTTED: 20-DEC-96 SHEET 1 OF 1	

REVISIONS				
ZONE	REV.	DESCRIPTION	DATE	APPROVED
	A	RELEASED EC1902	02-MAY-97	MDW



- NOTES: UNLESS OTHERWISE SPECIFIED.
1. ALL RESISTORS 1/4W, ± 5%.
 2. ALL CAPACITORS 50V MINIMUM.
 3. ALL DIODES 1N4448.
 4. DC VOLTAGES READ TO GROUND WITH A DVM. NO INPUT SIGNAL.
 5. AC VOLTAGE READINGS TAKEN WITH DVM TO GROUND UNDER THE FOLLOWING CONDITIONS:
 1KHz INPUT APPLIED THROUGH 1/4" PLUG TO J1
 8Ω RESISTIVE LOAD CONNECTED AT P8, P9
 9A.M. AT 12 O'CLOCK
 ALL OTHER CONTROLS SET TO 12 O'CLOCK
 FOR BULB REVERBS ONLY:
 REVERB ON: CONNECTED
 REVERB OFF: DISCONNECTED
 6. INSTANCES NOT USED: C17 C25 C26 R47

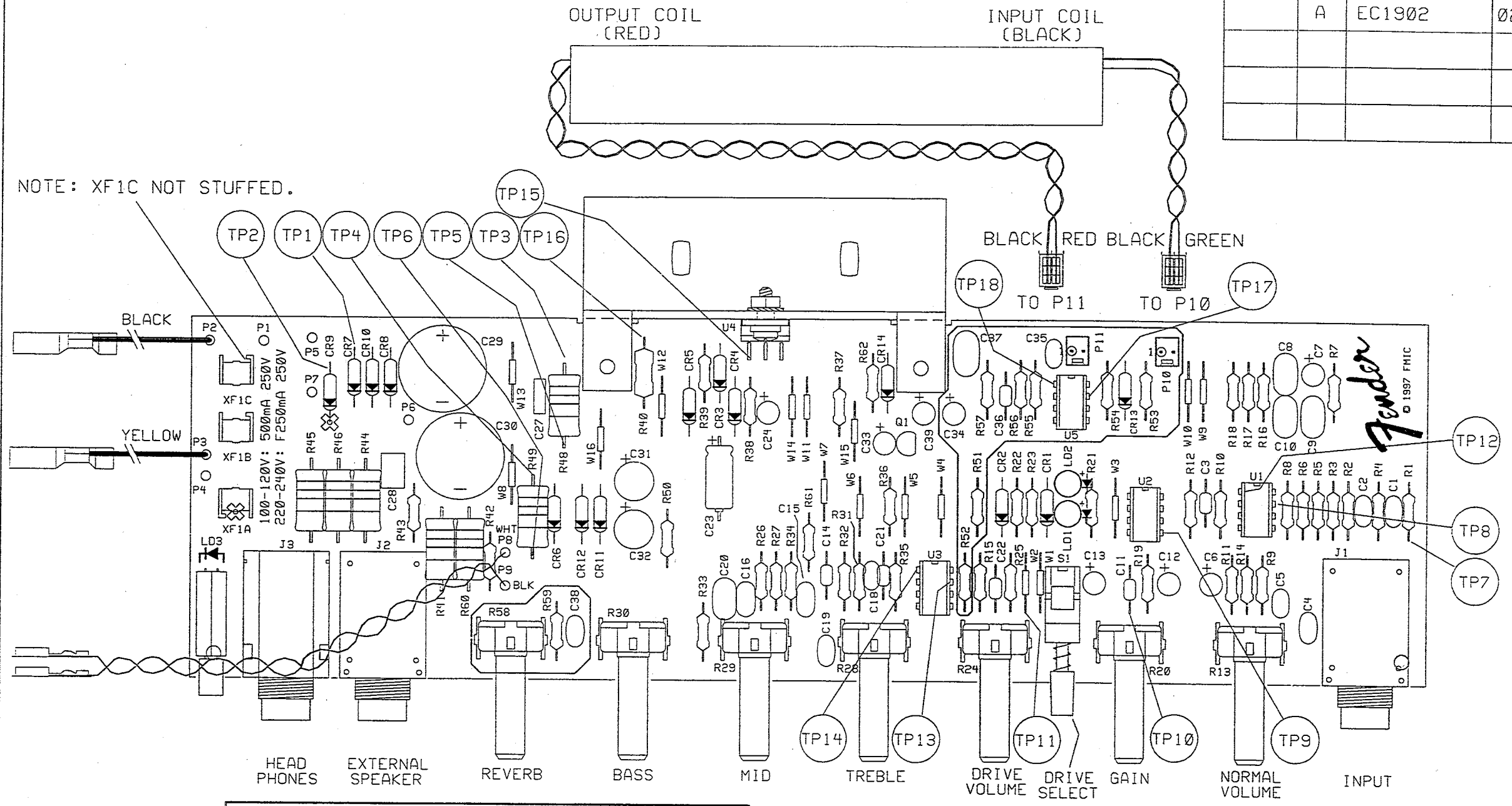


OUTPUT TEST:
 1KHz INTO 8 OHMS
 8Ω RESISTIVE LOAD
 RATED LINE INPUT
 15 WATTS RMS 5% T.H.D.

DATABASE FILE: E1902S.DBF CHECKED BY: DESI 20 DATE: 02-MAY-97 APPROVED: WILKENS DATE: 02-MAY-97 TOLERANCES: UNLESS OTHERWISE NOTED X.X .050" X.XX .010" X.XXX .005" ANGLES .0500°	PROPRIETARY THIS DRAWING DOCUMENT CONTAINS INFORMATION WHICH IS PROPRIETARY TO AND IS THE PROPERTY OF THE FENDER MUSICAL INSTRUMENTS CO. AND MAY NOT BE USED, REPRODUCED OR DISCLOSED IN ANY MANNER WITHOUT THE EXPRESSED WRITTEN CONSENT FROM: FENDER MUSICAL INSTRUMENTS CO. RESIDUAL HEADQUARTERS 2621 RESEARCH DRIVE CORONA, CA 91720 USA	Fender MUSICAL INSTRUMENTS 2621 Research Drive Corona, CA 91720 USA TITLE: SERVICE DIAGRAM BULLET REVERB GUITAR AMPLIFIER SIZE: DRAWN: WILKENS DRAWING NUMBER: 0051910000 REV. A ENGR: WILKENS SCALE: N/A CREATED: 15-APR-97 PLOTTED: 05-JUN-97 SHEET 1 OF 2
---	--	---

REVISIONS

ZONE	REV.	DESCRIPTION	DATE	APPROVED
	A	EC1902	02-MAY-97	MDW



FILM/DWG: SERVICE DIAGRAM
 DATABASE: E1902P.DBF DATE: 05-JUN-97
 LAYERS PLOTTED: 1 2 3 4 10
 18

DATABASE FILE:
E1902P.DBF
 CHECKED BY: BDesi
 DATE: 6/5/97
 APPROVED: [Signature]
 DATE: 6/5/97
 TOLERANCES: UNLESS OTHERWISE NOTED
 X.X ±0.050"
 X.XX ±0.010"
 X.XXX ±0.005"
 ANGLES ±0.500°

PROPRIETARY
 THIS DRAWING DOCUMENT CONTAINS INFORMATION WHICH IS PROPRIETARY TO AND IS THE PROPERTY OF THE FENDER MUSICAL INSTRUMENTS CO. AND MAY NOT BE USED, REPRODUCED OR DISCLOSED IN ANY MANNER WITHOUT THE EXPRESSED WRITTEN CONSENT FROM:
 FENDER MUSICAL INSTRUMENTS CO.
 REGIONAL HEADQUARTERS
 2621 RESEARCH DRIVE
 CORONA, CA 91720 USA
 NEXT HIGHER ASSEMBLY:

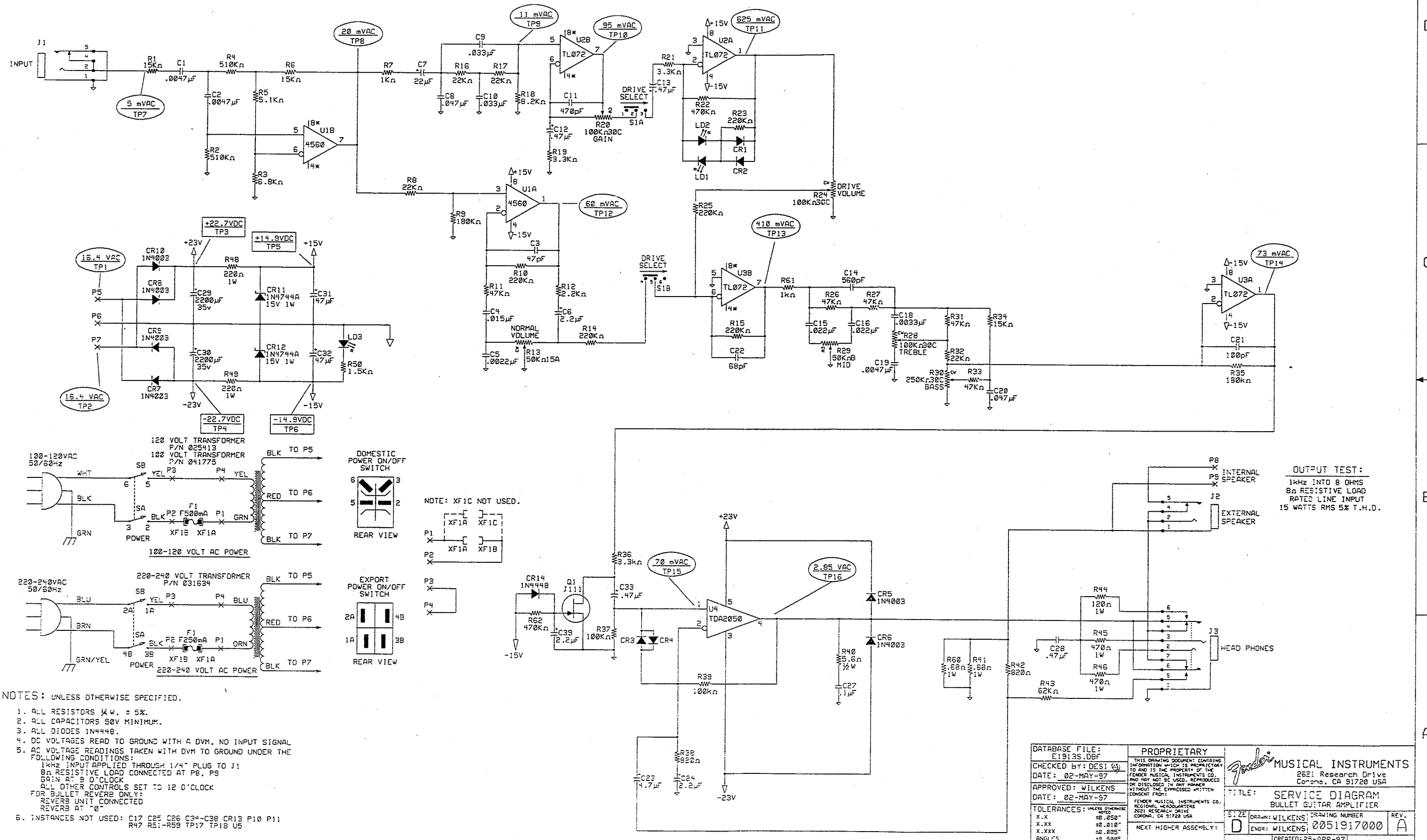
Fender MUSICAL INSTRUMENTS
 2621 Research Drive
 Corona, CA 91720 USA

TITLE: SERVICE DIAGRAM
 BULLET REVERB AMPLIFIER

SIZE	DRAWN: WILKENS	DRAWING NUMBER	REV.
B	ENGR: WILKENS	0051910000	A

SCALE: N/A
 CREATED: 15-APR-97
 PLOTTED: 05-JUN-97 SHEET 2 OF 2

REVISIONS				
ZONE	REV.	DESCRIPTION	DATE	APPROVED
	A	RELEASED EC1913	02-MAY-97	MDW



- NOTES: UNLESS OTHERWISE SPECIFIED:
- ALL RESISTORS 1/4 W, ± 5%.
 - ALL CAPACITORS 50V MINIMUM.
 - ALL DIODES 1N4448.
 - DC VOLTAGES READ TO GROUND WITH A DVM, NO INPUT SIGNAL.
 - AC VOLTAGE READINGS TAKEN WITH DVM TO GROUND UNDER THE FOLLOWING CONDITIONS:
 1KHZ INPUT APPLIED THROUGH 1/4" PLUG TO J1;
 8Ω RESISTIVE LOAD CONNECTED AT P8, P9;
 GAIN AT 9 O'CLOCK
 ALL OTHER CONTROLS SET TO 12 O'CLOCK
 FOR BULLET REVERB ONLY:
 REVERB UNIT CONNECTED
 REVERB AT 0
 - INSTANCES NOT USED: C17 C25 C26 C34-C38 CR13 P10 P11 R47 R51-R59 TP17 TP18 U5

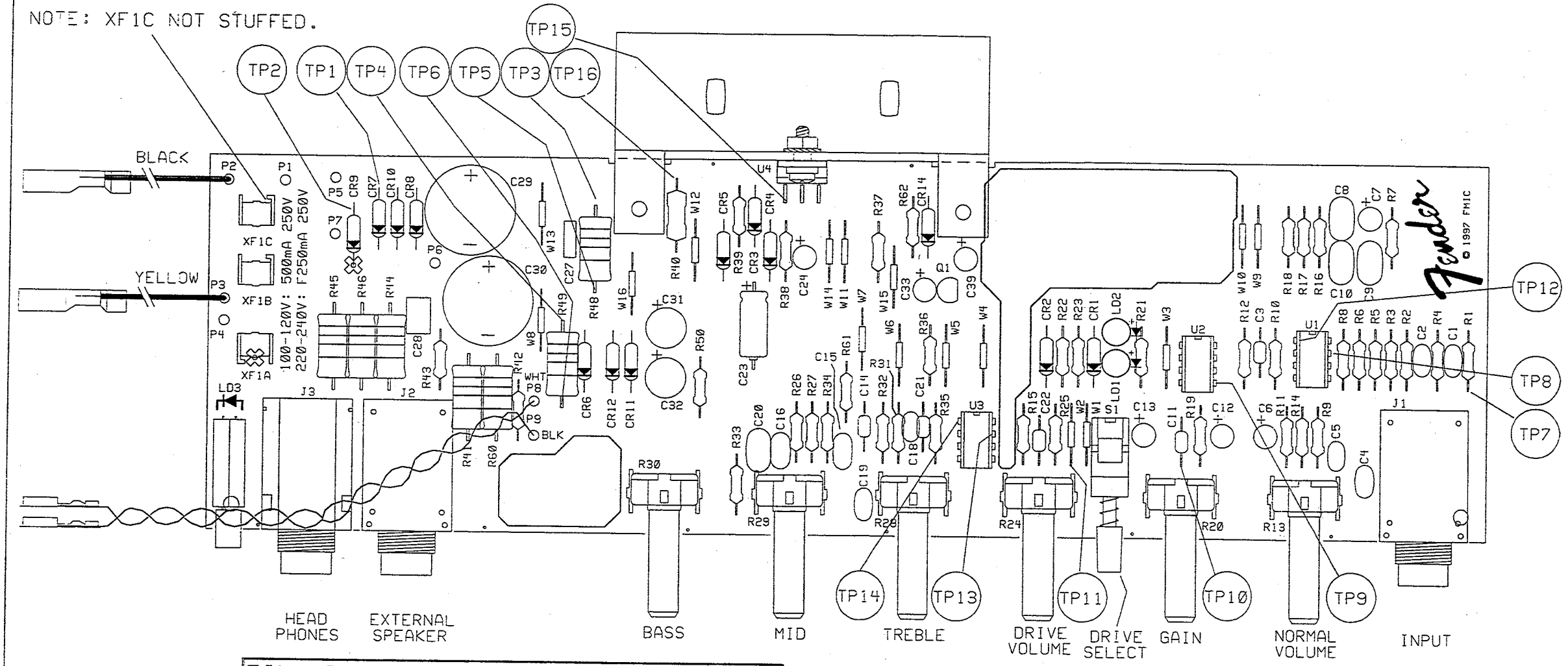
OUTPUT TEST:
 1kHz INTO 8 OHMS
 8Ω RESISTIVE LOAD
 RATED LINE INPUT
 15 WATTS RMS 5% T.H.D.

DATABASE FILE: E1913S.DBF CHECKED BY: DESI (S) DATE: 02-MAY-97 APPROVED: WILKENS DATE: 02-MAY-97 TOLERANCES: UNLESS OTHERWISE SPECIFIED: X.X .050" X.XX .010" X.XXX .005" ANGLES .0500°	PROPRIETARY THIS DRAWING DOCUMENT CONTAINS INFORMATION WHICH IS PROPRIETARY TO AND IS THE PROPERTY OF THE FENDER MUSICAL INSTRUMENTS CO. AND MAY NOT BE USED, REPRODUCED OR DISCLOSED IN ANY MANNER WITHOUT THE EXPRESSED WRITTEN CONSENT FROM: FENDER MUSICAL INSTRUMENTS CO. 2621 RESEARCH DRIVE CORONA, CA 91728 USA NEXT HIGHER ASSEMBLY:	Fender MUSICAL INSTRUMENTS 2621 Research Drive Corona, CA 91728 USA TITLE: SERVICE DIAGRAM BULLET GUITAR AMPLIFIER SIZE: DRAWN BY: WILKENS; DRAWING NUMBER: 0051917000 ENGR: WILKENS; REV: A SCALE: N/A CREATED: 25-APR-97 PLOTTED: 26-JUN-97 SHEET 1 OF 2
---	--	---

REVISIONS

ZONE	REV.	DESCRIPTION	DATE	APPROVED
	A	EC1913	02-MAY-97	MDW

NOTE: XF1C NOT STUFFED.



FILM/DWG: SERVICE DIAGRAM
 DATABASE: E1913P.DBF DATE: 06-JUN-97
 LAYERS PLOTTED: 1 2 3 4 10
 18

DATABASE FILE:
E1913P.DBF
 CHECKED BY: *B. West*
 DATE: *6-16-97*
 APPROVED: *MDW*
 DATE: *6/16/97*
 TOLERANCES: UNLESS OTHERWISE NOTED
 X.X ±0.050"
 X.XX ±0.010"
 X.XXX ±0.005"
 ANGLES ±0.500°

PROPRIETARY
 THIS DRAWING DOCUMENT CONTAINS INFORMATION WHICH IS PROPRIETARY TO AND IS THE PROPERTY OF THE FENDER MUSICAL INSTRUMENTS CO. AND MAY NOT BE USED, REPRODUCED OR DISCLOSED IN ANY MANNER WITHOUT THE EXPRESSED WRITTEN CONSENT FROM:
 FENDER MUSICAL INSTRUMENTS CO.
 REGIONAL HEADQUARTERS
 2621 RESEARCH DRIVE
 CORONA, CA 91720 USA
 NEXT HIGHER ASSEMBLY:

Fender MUSICAL INSTRUMENTS
 2621 Research Drive
 Corona, CA 91720 USA

TITLE: SERVICE DIAGRAM
 BULLET AMPLIFIER

SIZE	DRAWN: WILKENS	DRAWING NUMBER	REV.
B	ENGR: WILKENS	0051917000	A

SCALE: N/A
 CREATED: 15-APR-97
 PLOTTED: 06-JUN-97 SHEET 2 OF 2