

8

7

6

5

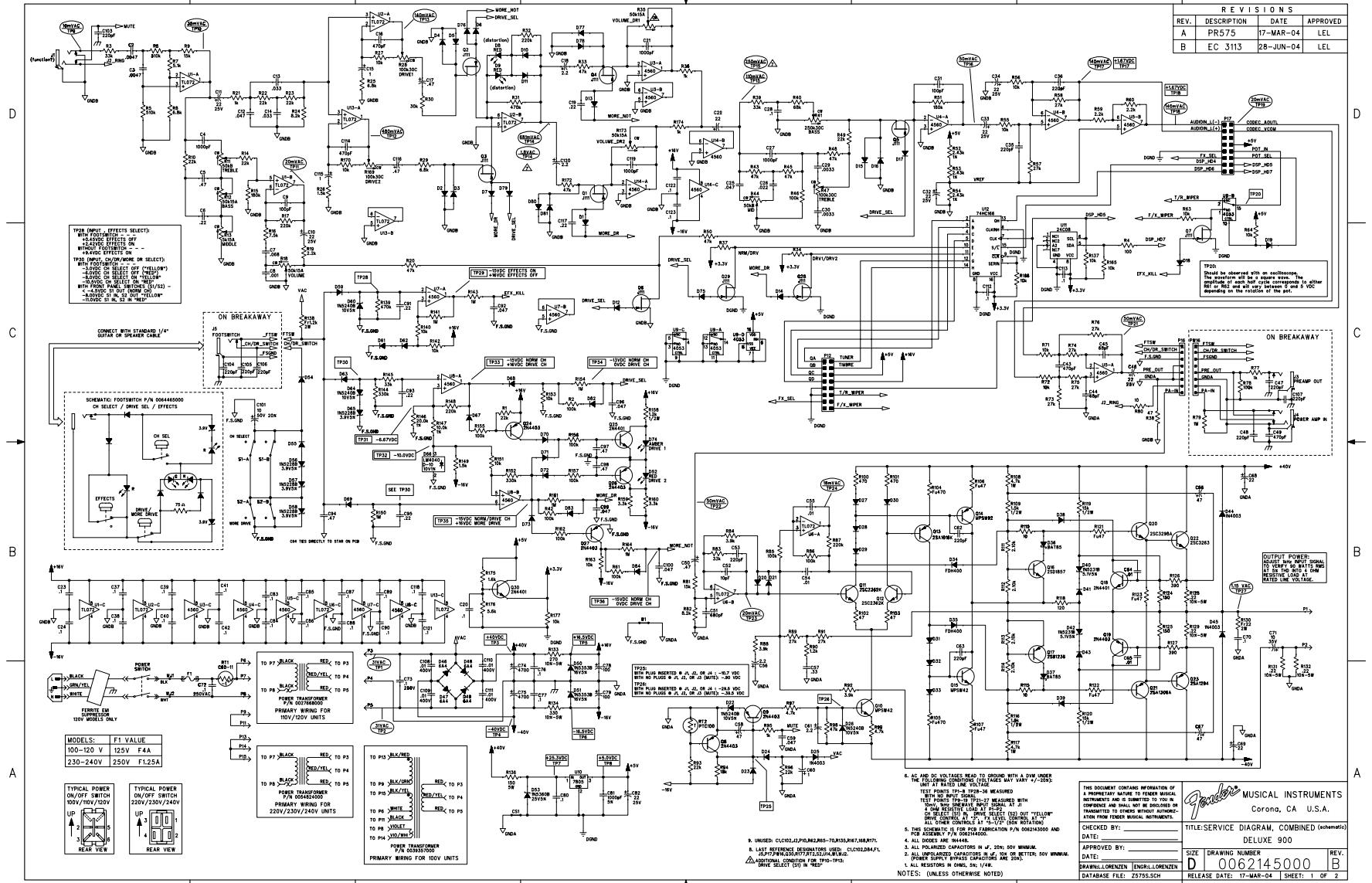
4

3

2

1

REVISIONS			
REV.	DESCRIPTION	DATE	APPROVED
A	PR575	17-MAR-04	LEL
B	EC 3113	28-JUN-04	LEL



D

C

B

A

D

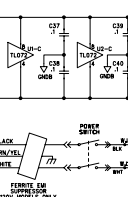
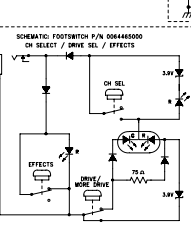
C

B

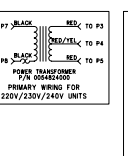
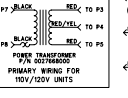
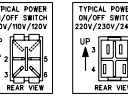
A

**FP28 INPUT - EFFECTS SELECT**  
 4-DC-0070  
 4-DC-0070  
 4-DC-0070  
 4-DC-0070  
 4-DC-0070  
 4-DC-0070

CONNECT WITH STANDARD 1/4" GUITAR OR BASSMIDI CABLE



MODELS: F1 VALUE  
 100-120 V 125V F4A  
 230-240V 250V F125A



1. ALL DC-DC VOLTAGE READ TO GROUND WITH A DVM UNDER THE FOLLOWING CONDITIONS: VOLTAGES MAY VARY +/-25%.
2. ALL POLARIZED CAPACITORS IN U.F., 25% SOY MINIMUM.
3. ALL UNPOLARIZED CAPACITORS IN U.F. OR BETTER, 50% MINIMUM.
4. ALL DIODES ARE IN4448.
5. THE SCHEMATIC IS FOR PCB FABRICATION P/N 006244000 AND FOR ASSEMBLY P/N 006244000.
6. THE DOCUMENT CONTAINS INFORMATION OF A PROPRIETARY NATURE TO FENDER MUSICAL INSTRUMENTS AND IS LOANED TO YOU IN COMPLETE AND SHALL NOT BE REPRODUCED OR TRANSMITTED TO OTHER WITHOUT AUTHORIZATION FROM FENDER MUSICAL INSTRUMENTS.
7. ALL RESISTORS IN OHMS, ONE 1/8".
8. ALL DIODES ARE IN4448.
9. CAPACITORS ARE IN MICROFARADS UNLESS OTHERWISE NOTED.
10. UNLESS OTHERWISE NOTED, ALL DIMENSIONS ARE IN INCHES.
11. UNLESS OTHERWISE NOTED, ALL DIMENSIONS ARE IN INCHES.

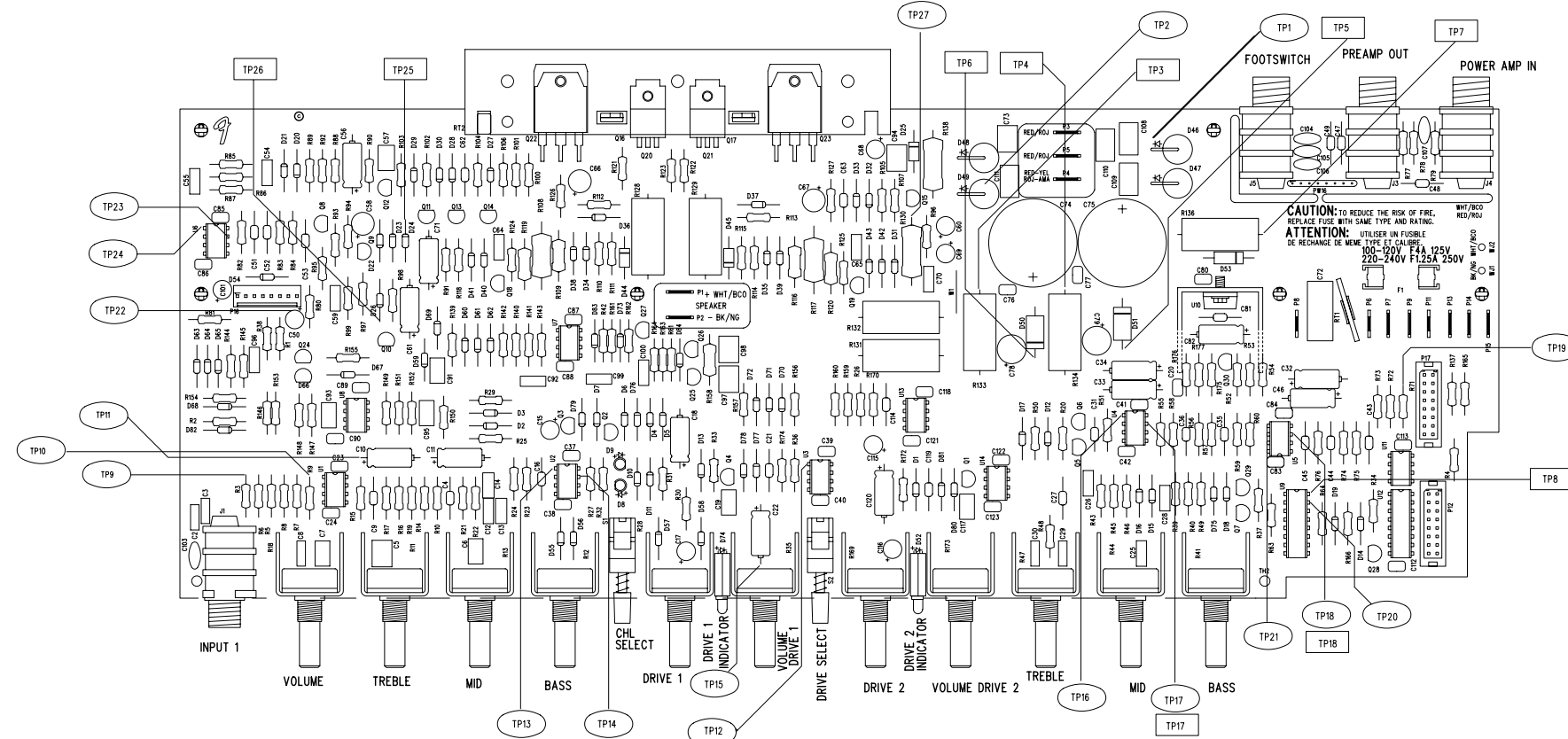
CHECKED BY:  
 DATE:  
 APPROVED BY:  
 DATE:  
 DATABASE FILE: 23795.SCH

Fender MUSICAL INSTRUMENTS  
 Corona, CA U.S.A.

TITLE: SCHEMATIC DIAGRAM, COMBINED (continued)  
 DELUXE 900

DRAWN BY: L. LORENZEN  
 ENGR. BY: L. LORENZEN  
 DATE: 17-MAR-04  
 SHEET: 1 OF 2

REVISIONS			
REV.	DESCRIPTION	DATE	APPROVED
A	PR575	17-MAR-04	L.L.
B	EC 3113	28-JUN-04	L E L



FILM/DWG: SERVICE DIAGRAM  
 DATABASE: Z575P.PCB DATE: 28-JUN-04

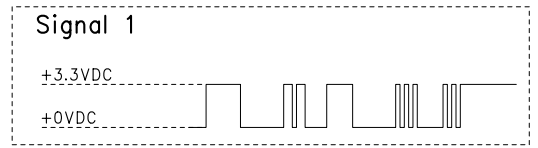
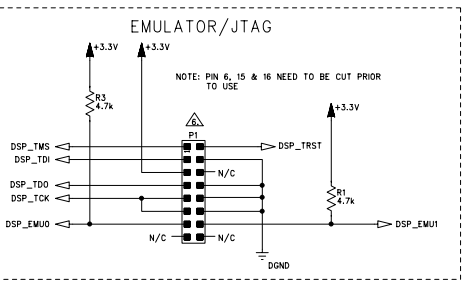
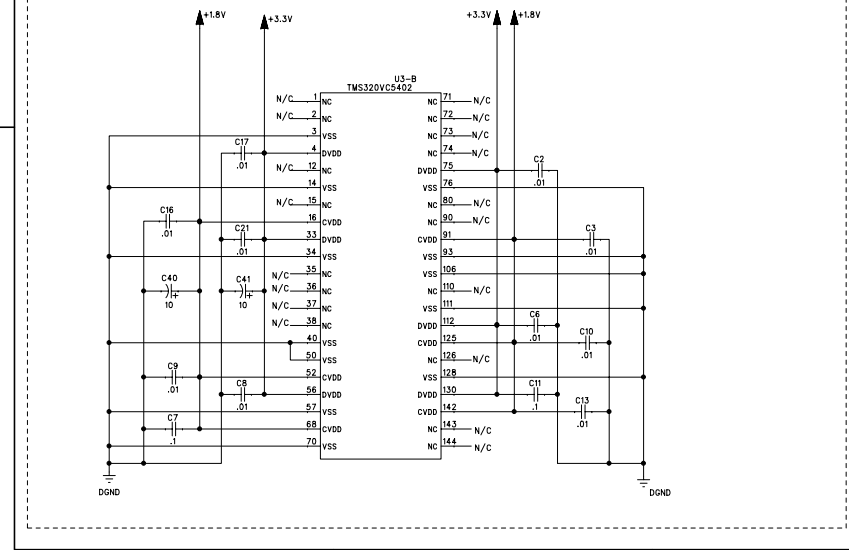
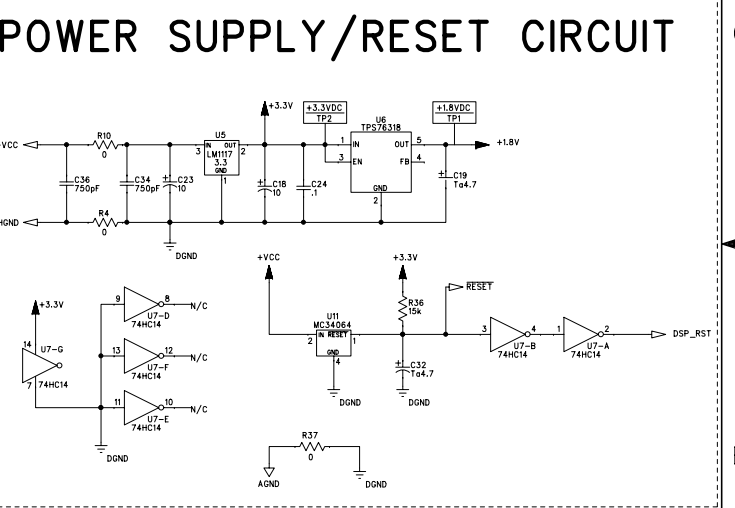
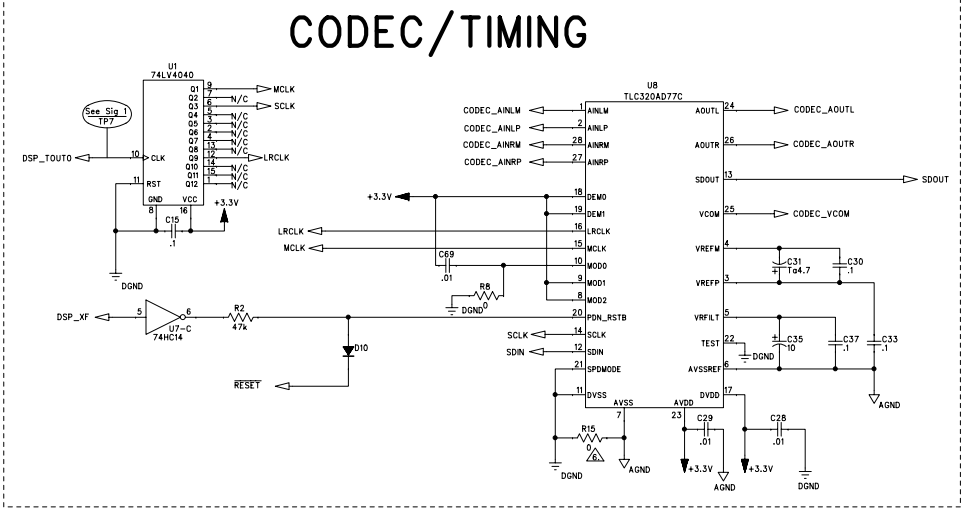
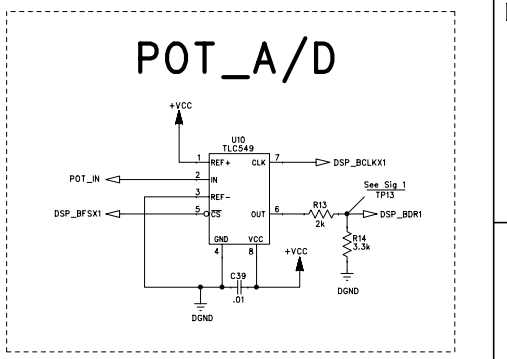
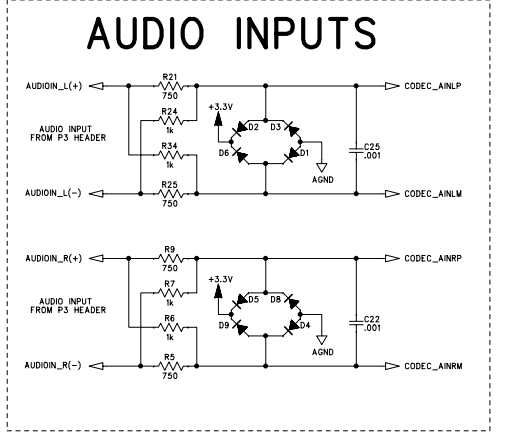
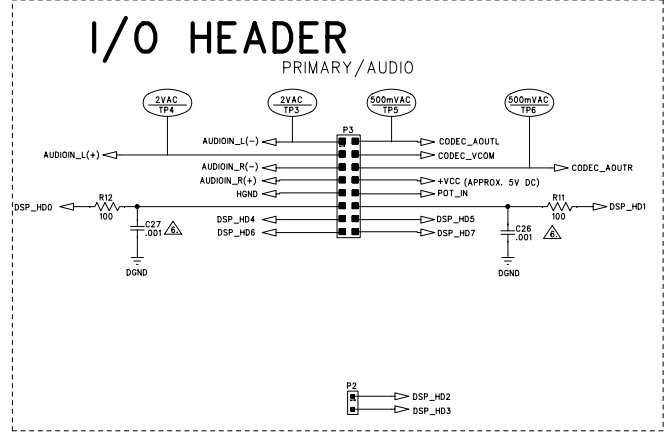
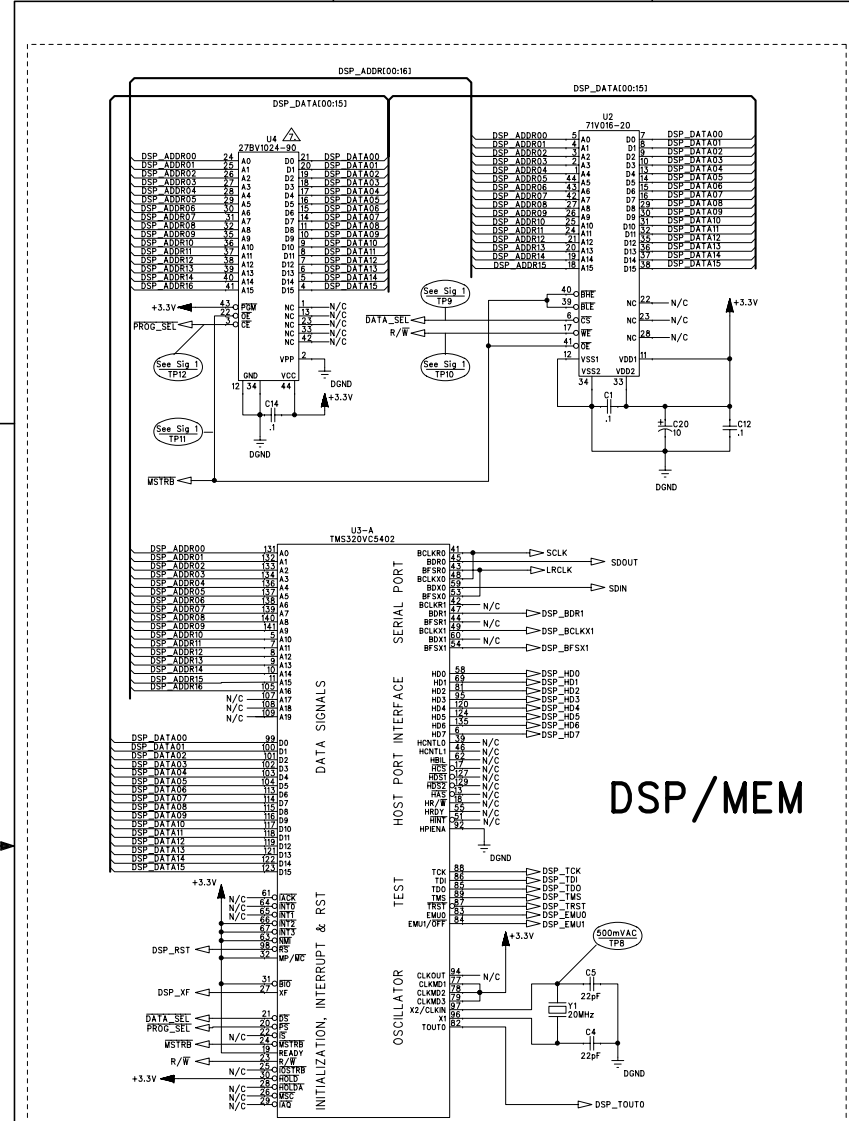
1. SEE SHEET 1 FOR PRIMARY, WIRING, TEST CONDITIONS & TEST POINT VALUES.  
 NOTES: (UNLESS OTHERWISE NOTED)

THIS DOCUMENT CONTAINS INFORMATION OF A PROPRIETARY NATURE TO FENDER MUSICAL INSTRUMENTS AND IS SUBMITTED TO YOU IN CONFIDENCE AND SHALL NOT BE DISCLOSED OR TRANSMITTED TO OTHERS WITHOUT AUTHORIZATION FROM FENDER MUSICAL INSTRUMENTS.		MUSICAL INSTRUMENTS Corona, CA U.S.A.	
CHECKED BY:	DATE:	TITLE: SERVICE DIAGRAM, COMBINED (PCB assy) DELUXE 900 MAIN PCB	
APPROVED BY:	DATE:	SIZE: <b>D</b> DRAWING NUMBER: 0062145000	REV. <b>B</b>
DRAWN: L. LORENZEN	ENGR: L. LORENSEN	RELEASE DATE: 17-MAR-04	SHEET 2 OF 2
DATABASE FILE: Z575P.PCB			

D  
C  
B  
A

D  
C  
B  
A

REVISIONS			
REV.	DESCRIPTION	DATE	APPROVED
A	PR480	29-NOV-01	J T L
B	EC 2743	07-MAR-02	J T L
C	EC 2789	10-JUN-02	J C S
D	PR542	25-APR-03	R J D



- INSTALL IC IN SOCKET. FENDER P/N 0056585005
  - DO NOT STUFF C26-27, P1, R15.
  - THIS SCHEMATIC IS FOR PCB FABRICATION P/N 0057284000 AND PCB ASSEMBLY P/N 0057285000.
  - ALL DIODES ARE 1N4448.
  - ALL UNPOLARIZED CAPACITORS IN  $\mu$ F, 20% OR BETTER; 16V MINIMUM. (POWER SUPPLY BYPASS CAPACITORS ARE 20%).
  - ALL RESISTORS IN OHMS, 5% 1/10W.
- NOTES: (UNLESS OTHERWISE NOTED)

THIS DOCUMENT CONTAINS INFORMATION OF A PROPRIETARY NATURE TO FENDER MUSICAL INSTRUMENTS AND IS SUBMITTED TO YOU IN CONFERENCE AND SHALL NOT BE DISCLOSED OR TRANSMITTED TO OTHERS WITHOUT AUTHORIZATION FROM FENDER MUSICAL INSTRUMENTS.

**Fender** MUSICAL INSTRUMENTS  
Corona, CA U.S.A.

CHECKED BY: \_\_\_\_\_  
DATE: \_\_\_\_\_

APPROVED BY: \_\_\_\_\_  
DATE: \_\_\_\_\_

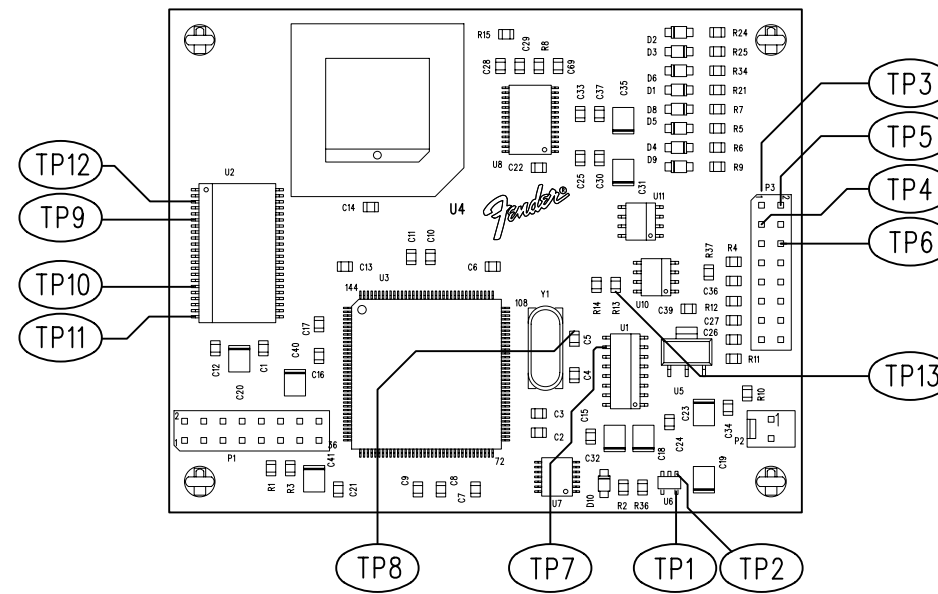
DRAWN: J. Jimenez ENGR: J. Lamb  
DATABASE FILE: Z4815.SCH

TITLE: SERVICE DIAGRAM, COMBINED (schematic) MICRO DSP

SIZE: D  
DRAWING NUMBER: 0057283000  
RELEASE DATE: 29-NOV-01 SHEET: 1 OF 2

REVISIONS


REV.	DESCRIPTION	DATE	APPROVED
A	PR480	30-NOV-01	J T L
B	EC 2743	07-MAR-02	J T L
C	EC 2789	10-JUN-02	J C S
D	PR542	25-APR-03	R J D



FILM/DWG: SERVICE DIAGRAM  
 DATABASE: Z481P.PCB DATE: 25-APR-03

1. SEE SHEET 1 FOR TEST CONDITIONS AND TEST POINT VALUES.

NOTES: (UNLESS OTHERWISE NOTED)

THIS DOCUMENT CONTAINS INFORMATION OF A PROPRIETARY NATURE TO FENDER MUSICAL INSTRUMENTS AND IS SUBMITTED TO YOU IN CONFIDENCE AND SHALL NOT BE DISCLOSED OR TRANSMITTED TO OTHERS WITHOUT AUTHORIZATION FROM FENDER MUSICAL INSTRUMENTS.		 MUSICAL INSTRUMENTS Corona, CA U.S.A.	
CHECKED BY: _____ DATE: _____		TITLE: SERVICE DIAGRAM, COMBINED (PCB assy) uDSP SERIES	
APPROVED BY: _____ DATE: _____		SIZE <b>B</b>	DRAWING NUMBER 0057283000
DRAWN: J. Jimenez	ENGR: J. Lamb	REV. D	
DATABASE FILE: Z481P.PCB		RELEASE DATE: 30-NOV-01	SHEET 2 OF 2