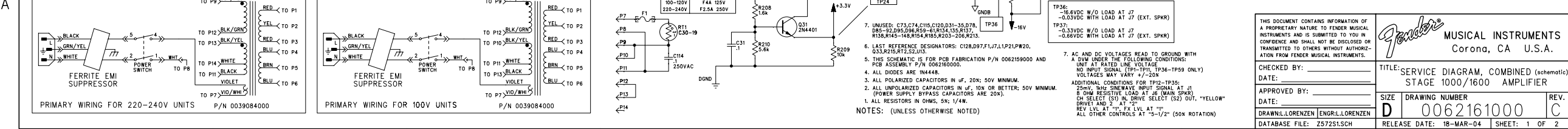
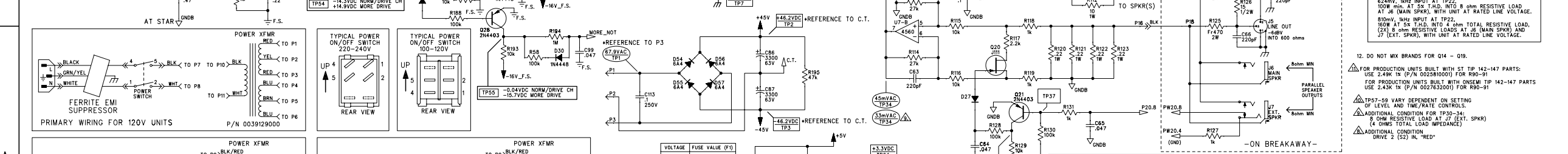
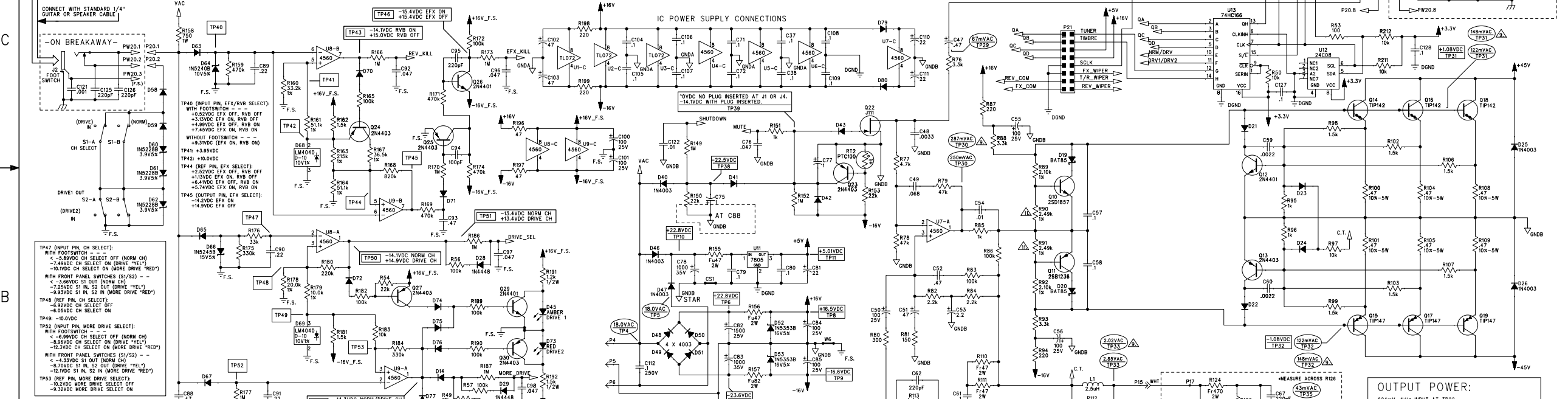
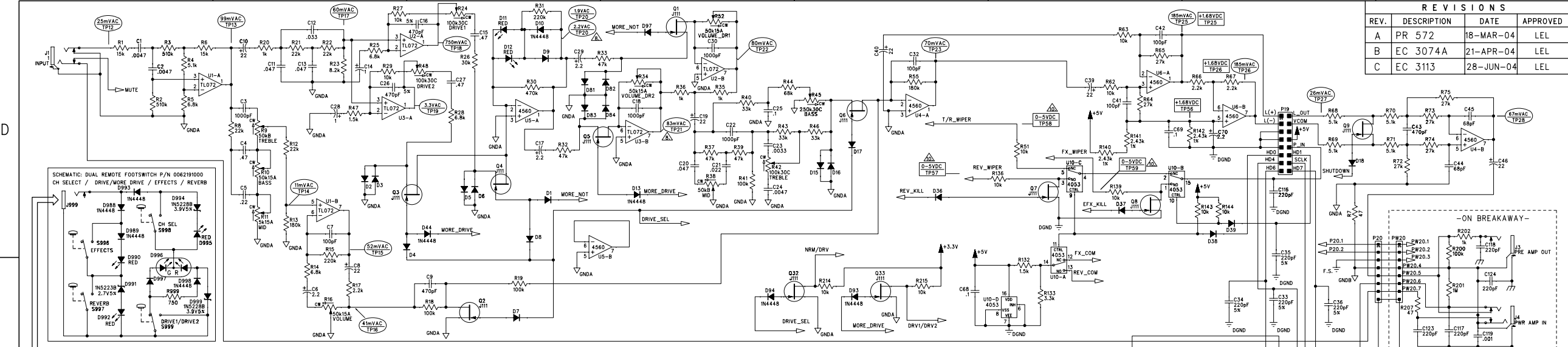


REVISIONS			
REV.	DESCRIPTION	DATE	APPROVED
A	PR 572	18-MAR-04	LEL
B	EC 3074A	21-APR-04	LEL
C	EC 3113	28-JUN-04	LEL



**OUTPUT POWER:**  
 624mV, 1kHz INPUT AT TP22, 100W min. AT 8Ω T.M.D. INTO 8 ohm RESISTIVE LOAD AT J6 (MAIN SPKR), WITH UNIT AT RATED LINE VOLTAGE.  
 810mV, 1kHz INPUT AT TP22, 80W AT 5Ω T.M.D. INTO 8 ohm TOTAL RESISTIVE LOAD, (2x) 4 ohm RESISTIVE LOADS AT J6 (MAIN SPKR) AND J7 (EXT. SPKR), WITH UNIT AT RATED LINE VOLTAGE.

12. DO NOT MIX BRANDS FOR Q14 - Q19.  
 FOR PRODUCTION UNITS BUILT WITH ST TP 142-147 PARTS: USE 2.43K 1% (P/N 002763000) FOR R90-Q1.  
 FOR PRODUCTION UNITS BUILT WITH ONSEMI TP 142-147 PARTS: USE 2.43K 1% (P/N 002763200) FOR R90-Q1.  
 TP57-59 VARY DEPENDENT ON SETTING OF LEVEL AND TIME/RATE CONTROLS.  
 ADDITIONAL CONDITION FOR TP30-34: 8 OHM RESISTIVE LOAD AT J7 (EXT. SPKR) (4 OHMS TOTAL LOAD IMPEDANCE)  
 ADDITIONAL CONDITION DRIVE 2 (S2) IN "RED"

- UNUSED: C73,C74,C15,C10,C20,D31-35,D78, D85-102,R95,R96,R97,R104,105,R107, R108,R145-148,R154,R185,R203-206,R215.
- LAST REFERENCE DESIGNATORS: C128,D97,F1,J1,P2,LPW20, Q33,R75,RT2-32,33.
- THIS SCHEMATIC IS FOR PCB FABRICATION P/N 0062159000 AND PCB ASSEMBLY P/N 002160000.
- ALL DIODES ARE 1N4448.
- ALL POLARIZED CAPACITORS IN μF, 20% 50V MINIMUM.
- ALL UNPOLARIZED CAPACITORS IN μF, 10% OR BETTER; 50V MINIMUM. (POWER SUPPLY BYPASS CAPACITORS ARE 20%).
- ALL RESISTORS IN OHMS, 5% 1/4W.
- NOTES: (UNLESS OTHERWISE NOTED)

THIS DOCUMENT CONTAINS INFORMATION OF A PROPRIETARY NATURE TO FENDER MUSICAL INSTRUMENTS AND IS SUBMITTED TO YOU IN CONFERENCE AND SHALL NOT BE DISCLOSED OR TRANSMITTED TO OTHERS WITHOUT AUTHORIZATION FROM FENDER MUSICAL INSTRUMENTS.

CHECKED BY: \_\_\_\_\_  
 DATE: \_\_\_\_\_

APPROVED BY: \_\_\_\_\_  
 DATE: \_\_\_\_\_

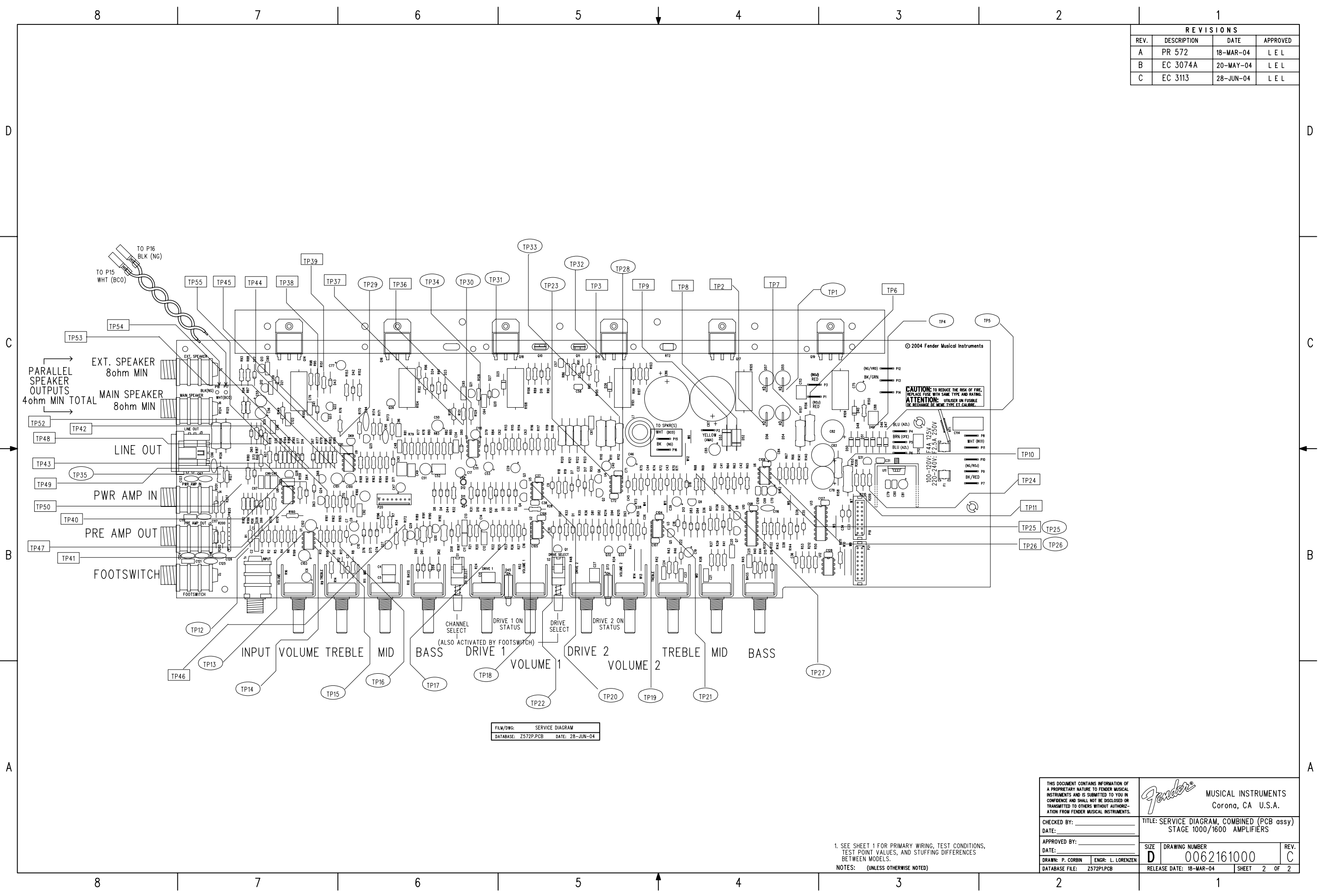
DRAWN: LORENZEN ENGR. LORENZEN  
 DATABASE FILE: Z572S1.SCH

TITLE: SERVICE DIAGRAM, COMBINED (schematic)  
 STAGE 1000/1600 AMPLIFIER

SIZE: DRAWING NUMBER: \_\_\_\_\_  
 0062161000

RELEASE DATE: 18-MAR-04 SHEET: 1 OF 2

REVISIONS			
REV.	DESCRIPTION	DATE	APPROVED
A	PR 572	18-MAR-04	L E L
B	EC 3074A	20-MAY-04	L E L
C	EC 3113	28-JUN-04	L E L



FILM/DWG: SERVICE DIAGRAM  
 DATABASE: Z572P.PCB DATE: 28-JUN-04

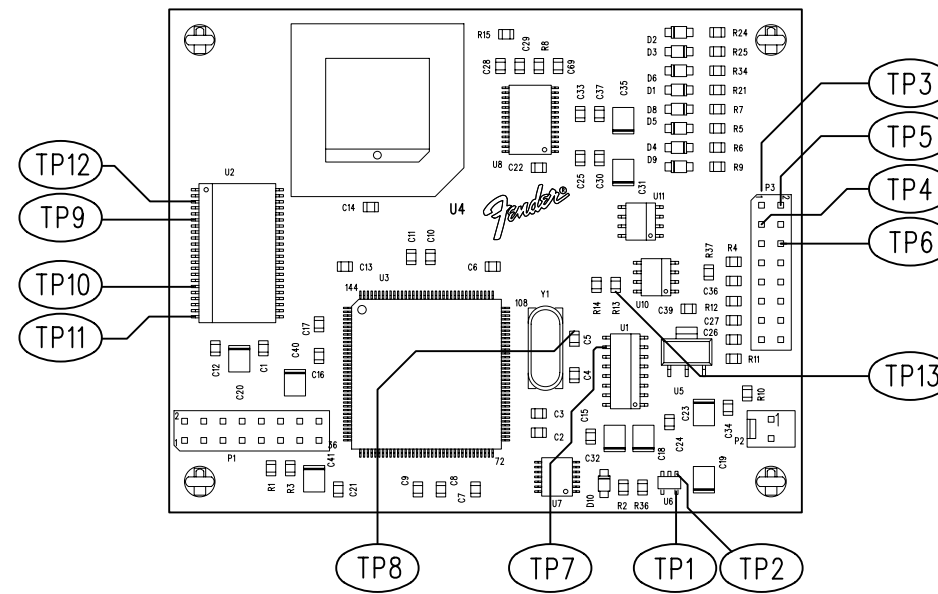
1. SEE SHEET 1 FOR PRIMARY WIRING, TEST CONDITIONS, TEST POINT VALUES, AND STUFFING DIFFERENCES BETWEEN MODELS.  
 NOTES: (UNLESS OTHERWISE NOTED)

<small>THIS DOCUMENT CONTAINS INFORMATION OF A PROPRIETARY NATURE TO FENDER MUSICAL INSTRUMENTS AND IS LOANED TO YOU IN CONFIDENCE AND SHALL NOT BE DISCLOSED OR TRANSMITTED TO OTHERS WITHOUT AUTHORIZATION FROM FENDER MUSICAL INSTRUMENTS.</small>			
CHECKED BY: _____ DATE: _____		MUSICAL INSTRUMENTS Corona, CA U.S.A.	
APPROVED BY: _____ DATE: _____		TITLE: SERVICE DIAGRAM, COMBINED (PCB assy) STAGE 1000/1600 AMPLIFIERS	
DRAWN: P. CORBIN ENGR: L. LORENZEN DATABASE FILE: Z572P.PCB	SIZE: <b>D</b> DRAWING NUMBER: 0062161000	REV: C RELEASE DATE: 18-MAR-04	SHEET 2 OF 2



REVISIONS


REV.	DESCRIPTION	DATE	APPROVED
A	PR480	30-NOV-01	J T L
B	EC 2743	07-MAR-02	J T L
C	EC 2789	10-JUN-02	J C S
D	PR542	25-APR-03	R J D



FILM/DWG: SERVICE DIAGRAM  
 DATABASE: Z481P.PCB DATE: 25-APR-03

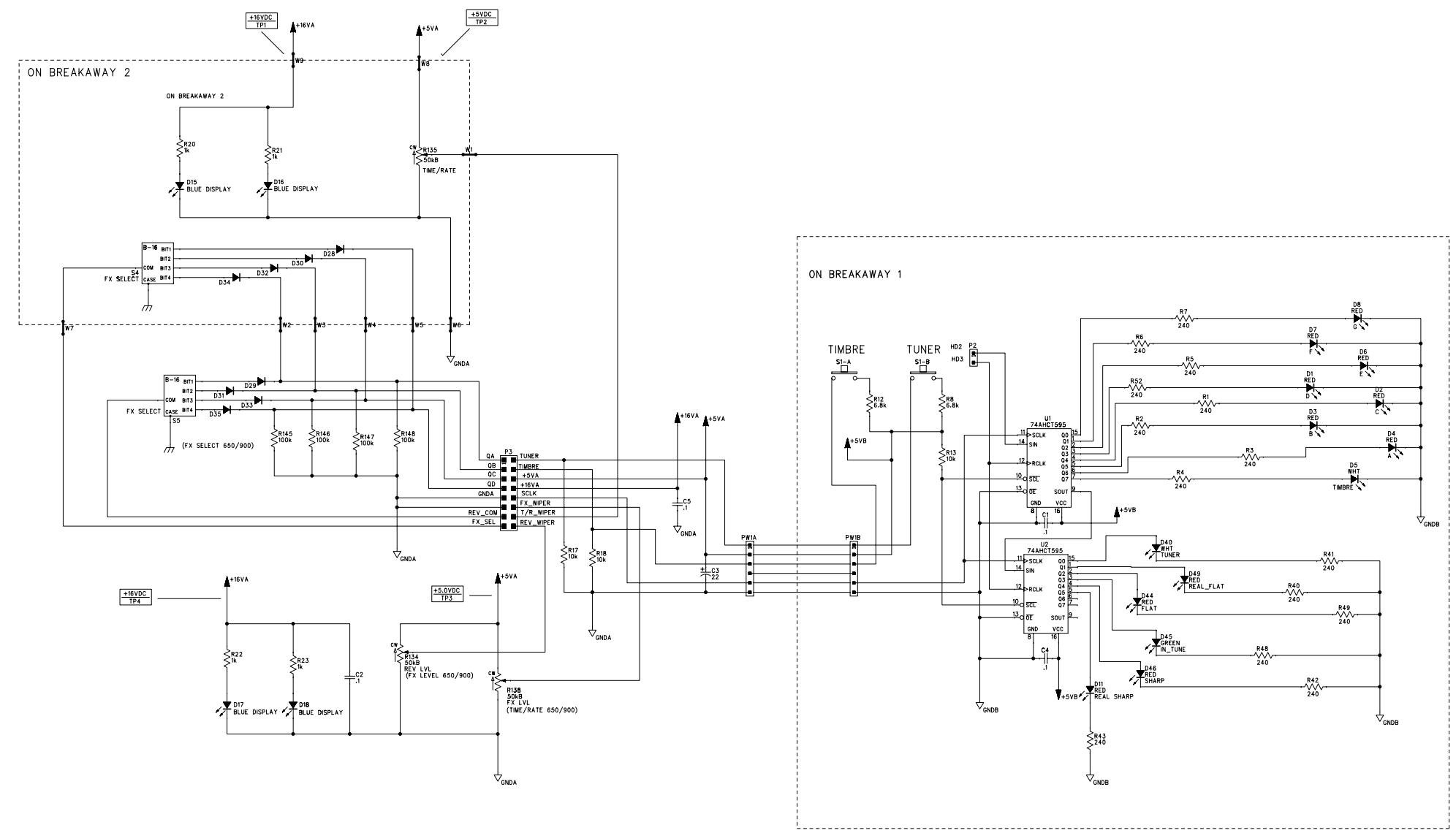
1. SEE SHEET 1 FOR TEST CONDITIONS AND TEST POINT VALUES.

NOTES: (UNLESS OTHERWISE NOTED)

THIS DOCUMENT CONTAINS INFORMATION OF A PROPRIETARY NATURE TO FENDER MUSICAL INSTRUMENTS AND IS SUBMITTED TO YOU IN CONFIDENCE AND SHALL NOT BE DISCLOSED OR TRANSMITTED TO OTHERS WITHOUT AUTHORIZATION FROM FENDER MUSICAL INSTRUMENTS.		 MUSICAL INSTRUMENTS Corona, CA U.S.A.	
CHECKED BY: _____ DATE: _____		TITLE: SERVICE DIAGRAM, COMBINED (PCB assy) uDSP SERIES	
APPROVED BY: _____ DATE: _____		SIZE <b>B</b>	DRAWING NUMBER 0057283000
DRAWN: J. Jimenez	ENGR: J. Lamb	REV. D	
DATABASE FILE: Z481P.PCB		RELEASE DATE: 30-NOV-01	SHEET 2 OF 2

8 7 6 5 4 3 2 1

REVISIONS			
REV.	DESCRIPTION	DATE	APPROVED
A	PR572	16-MAR-04	LEL



- NOTES: (UNLESS OTHERWISE NOTED)
1. ALL RESISTORS IN OHMS, 5%; 1/4W.
  2. ALL UNPOLARIZED CAPACITORS IN uF, 10% OR BETTER; 50V MINIMUM. (POWER SUPPLY BYPASS CAPACITORS ARE 20%).
  3. ALL POLARIZED CAPACITORS IN uF, 20%; 50V MINIMUM.
  4. ALL DIODES ARE 1N4448.
  5. THIS SCHEMATIC IS FOR PCB FABRICATION P/N 0055367000 AND PCB ASSEMBLIES P/N 0055367000 and 0064106000.
  6. ITEMS ON BREAKAWAY 2 ARE NOT STUFFED FOR PRINCETON 650 AND DELUXE 900.
  7. ALL VOLTAGES ARE +/- 10%.

THIS DOCUMENT CONTAINS INFORMATION OF A PROPRIETARY NATURE TO FENDER MUSICAL INSTRUMENTS AND IS SUBMITTED TO YOU IN CONFIDENCE AND SHALL NOT BE DISCLOSED OR TRANSMITTED TO OTHERS WITHOUT AUTHORIZATION FROM FENDER MUSICAL INSTRUMENTS.

**Fender** MUSICAL INSTRUMENTS  
Corona, CA U.S.A.

CHECKED BY: \_\_\_\_\_  
DATE: \_\_\_\_\_

APPROVED BY: \_\_\_\_\_  
DATE: \_\_\_\_\_

DRAWN: LORENZEN ENGR: LORENZEN  
DATABASE FILE: Z572P25.SCH

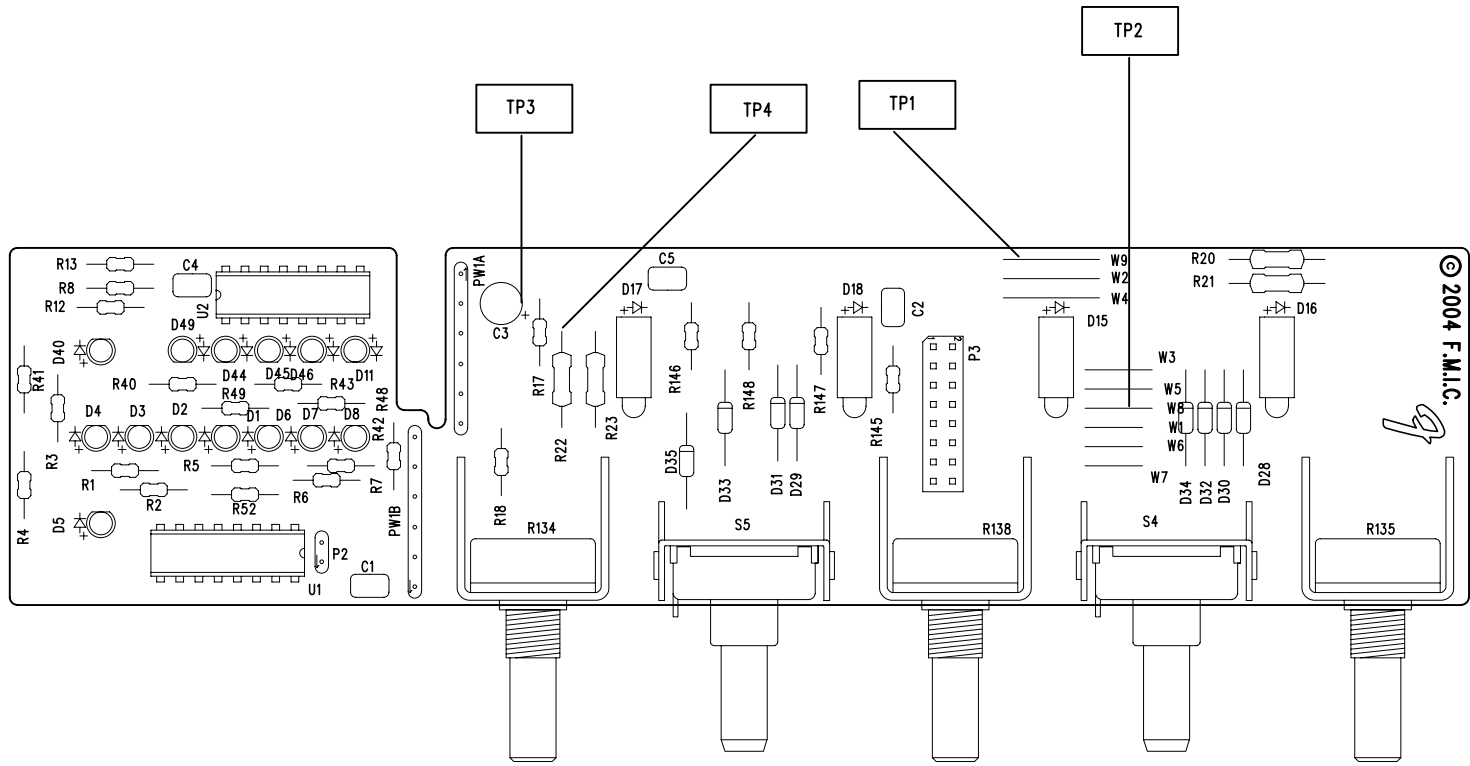
TITLE: SERVICE DIAGRAM, COMBINED (schematic)  
TUNER/TIMBRE DISPLAY PCB

SIZE: **D** DRAWING NUMBER: **0054426000** REV. **A**

RELEASE DATE: 16-MAR-03 SHEET: 1 OF 2


8 7 6 5 4 3 2 1

REVISIONS			
REV.	DESCRIPTION	DATE	APPROVED
A	PR572	16-MAR-04	L.E.L.



FILM/DWG: SERVICE DIAGRAM  
 DATABASE: Z572P2.PCB DATE: 16-MAR-04

NOTES: (UNLESS OTHERWISE NOTED)

THIS DOCUMENT CONTAINS INFORMATION OF A PROPRIETARY NATURE TO FENDER MUSICAL INSTRUMENTS AND IS SUBMITTED TO YOU IN CONFIDENCE AND SHALL NOT BE DISCLOSED OR TRANSMITTED TO OTHERS WITHOUT AUTHORIZATION FROM FENDER MUSICAL INSTRUMENTS.		 MUSICAL INSTRUMENTS Corona, CA U.S.A.	
CHECKED BY: _____ DATE: _____		TITLE: SERVICE DIAGRAM, COMBINED (PCB assy) TUNER/VOICE DISPLAY PCB	
APPROVED BY: _____ DATE: _____		SIZE <b>B</b>	DRAWING NUMBER 0054426000
DRAWN: PCORBIN ENGR: LORENZEN	DATABASE FILE: Z572P2.PCB	RELEASE DATE: 16-MAR-04	REV. A SHEET 2 OF 2