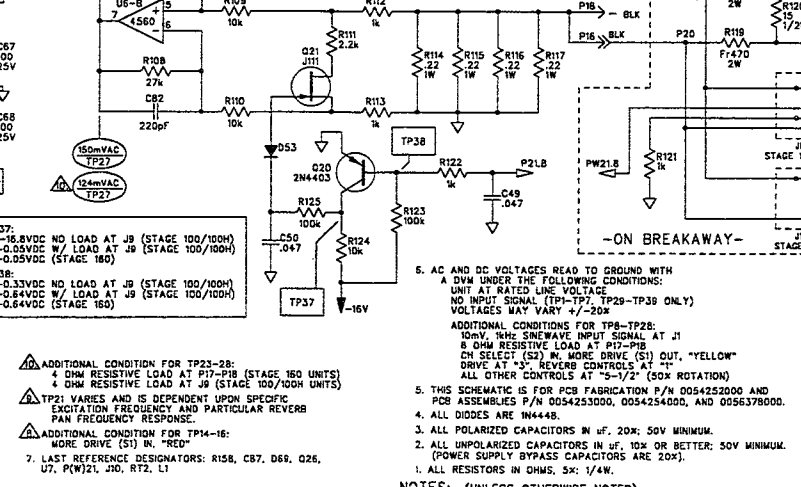
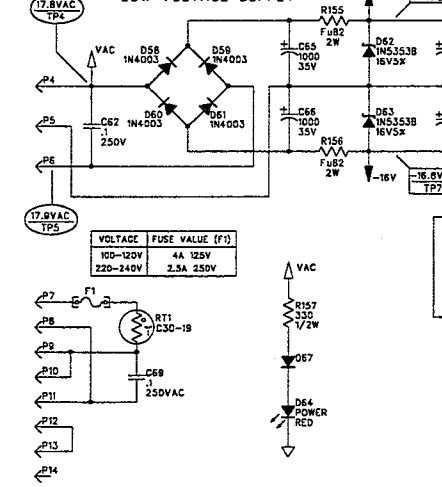
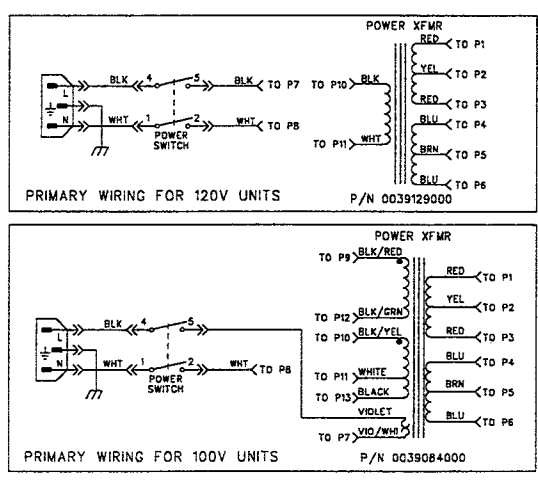
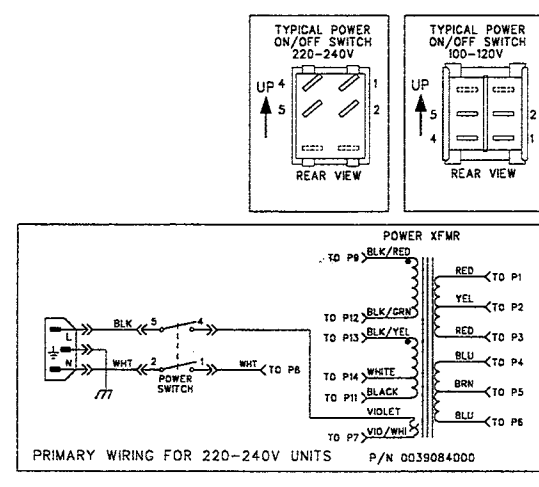
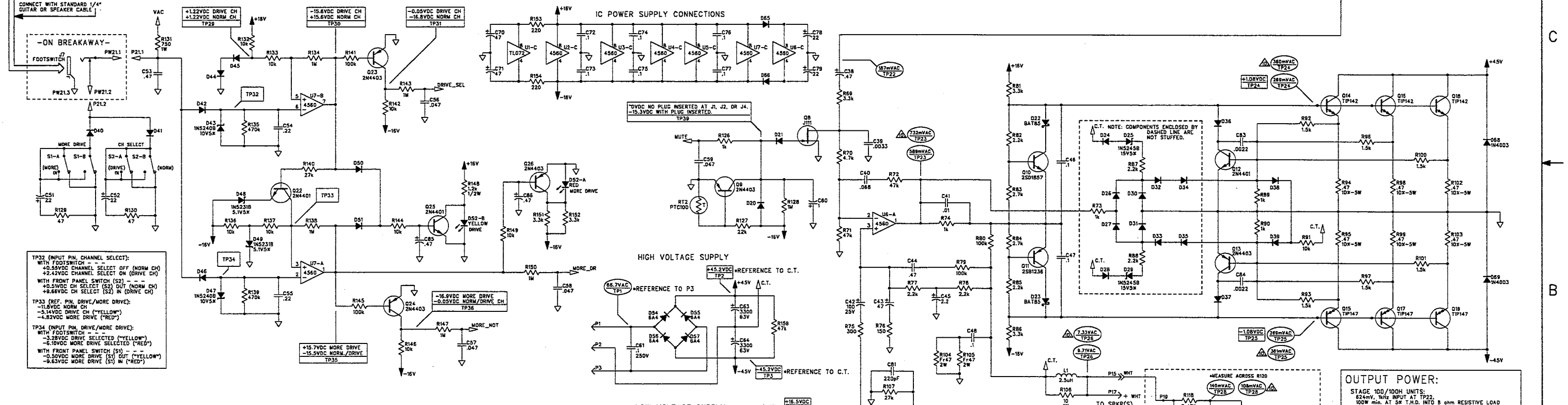
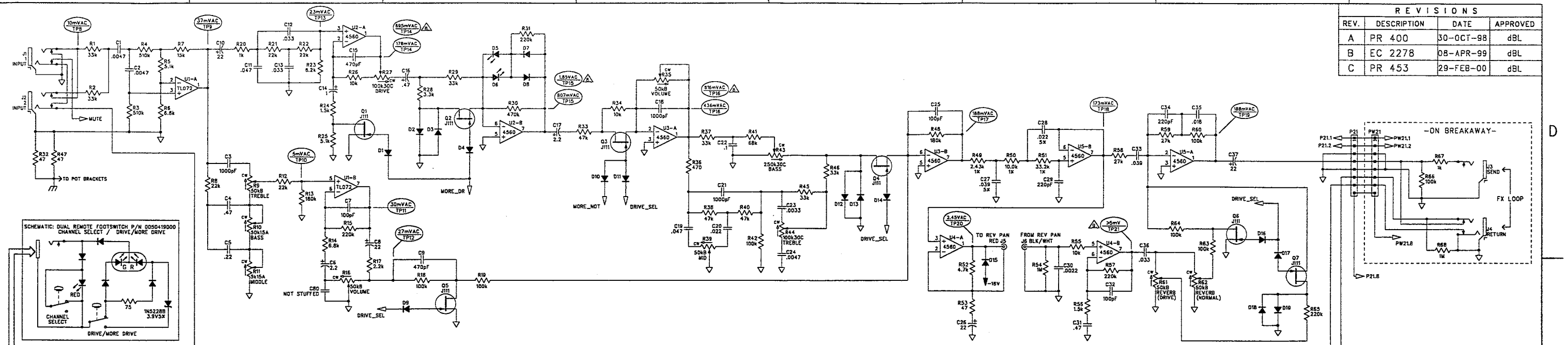


REVISIONS			
REV.	DESCRIPTION	DATE	APPROVED
A	PR 400	30-OCT-98	dBL
B	EC 2278	08-APR-99	dBL
C	PR 453	29-FEB-00	dBL



THIS DOCUMENT CONTAINS INFORMATION OF A PROPRIETARY NATURE TO FENDER MUSICAL INSTRUMENTS AND IS SUBMITTED TO YOU IN CONFIDENCE AND SHALL NOT BE DISCLOSED OR TRANSMITTED TO OTHERS WITHOUT AUTHORIZATION FROM FENDER MUSICAL INSTRUMENTS.

**Fender** MUSICAL INSTRUMENTS  
Corona, CA USA

CHECKED BY: *B. De...*  
DATE: 29 FEB 00

APPROVED BY: *dBL*  
DATE: 2/29/00

DRAWN: D. LEWIS ENGR: D. LEWIS  
DATABASE FILE: 2400S.SCH

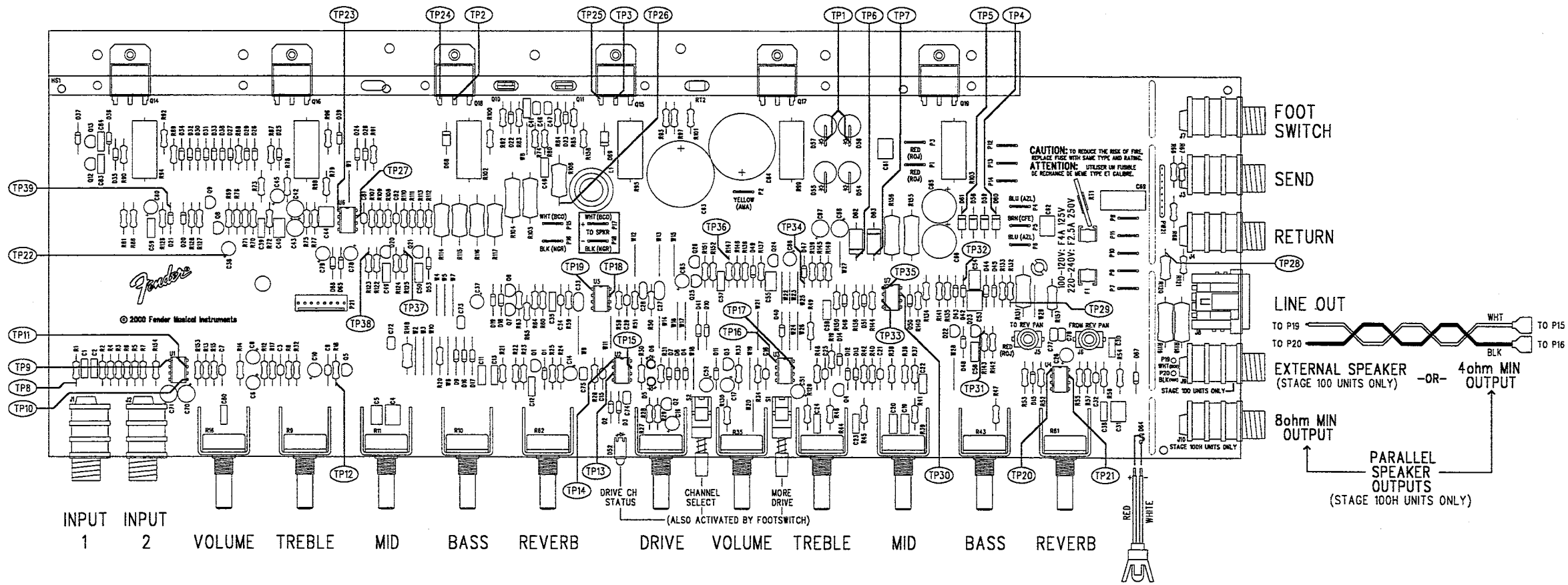
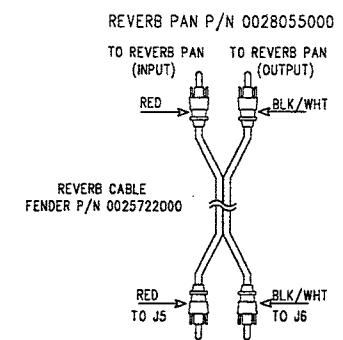
TITLE: SERVICE DIAGRAM, COMBINED (schematic)  
STAGE 100/160 AMPLIFIERS

SIZE	DRAWING NUMBER	REV.
D	0054255000	C

RELEASE DATE: 30-OCT-98 SHEET: 1 OF 2

- NOTES: (UNLESS OTHERWISE NOTED)
- AC AND DC VOLTAGES READ TO GROUND WITH A DVM UNDER THE FOLLOWING CONDITIONS:  
UNIT AT RATED LINE VOLTAGE  
NO INPUT SIGNAL (TP1-TP7, TP29-TP38 ONLY)  
VOLTAGES MAY VARY +/- 5%
  - ADDITIONAL CONDITIONS FOR TP9-TP28:  
100mV, 1kHz SINEWAVE INPUT SIGNAL AT J1  
8 OHM RESISTIVE LOAD AT P17-P18  
CH SELECT (S1) IN "MORE DRIVE" (S1) OUT, "YELLOW"  
DRIVE AT "X", REVERSE CONTROLS AT "1"  
ALL OTHER CONTROLS AT "0-1/2" (50% ROTATION)
  - THIS SCHEMATIC IS FOR PCB FABRICATION P/N 0054252000 AND PCB ASSEMBLIES P/N 0054253000, 0054254000, AND 0056378000.
  - ALL DIODES ARE 1N4448.
  - ALL POLARIZED CAPACITORS IN  $\mu$ F, 20% 50V MINIMUM.
  - ALL UNPOLARIZED CAPACITORS IN nF, 10% OR BETTER, 50V MINIMUM. (POWER SUPPLY BYPASS CAPACITORS ARE 20%).
  1. ALL RESISTORS IN OHMS, 5% 1/4W.

REVISIONS			
REV.	DESCRIPTION	DATE	APPROVED
A	PR 400	28-OCT-98	dBL
B	EC 2278	08-APR-99	dBL
C	PR 453	29-FEB-99	dBL



Fender  
© 2000 Fender Musical Instruments

FILE/DWG: SERVICE DIAGRAM  
DATABASE: 2400P.PCB DATE: 29-FEB-00

1. SEE SHEET 1 FOR PRIMARY WIRING, TEST CONDITIONS, TEST POINT VALUES, AND STUFFING DIFFERENCES BETWEEN MODELS.  
NOTES: (UNLESS OTHERWISE NOTED)

THIS DOCUMENT CONTAINS INFORMATION OF A PROPRIETARY NATURE TO FENDER MUSICAL INSTRUMENTS AND IS SUBMITTED TO YOU IN CONFIDENCE AND SHALL NOT BE DISCLOSED OR TRANSMITTED TO OTHERS WITHOUT AUTHORIZATION FROM FENDER MUSICAL INSTRUMENTS.		Fender MUSICAL INSTRUMENTS Corona, CA U.S.A.	
CHECKED BY: <i>DL</i>	DATE: <i>02-11-00</i>	TITLE: SERVICE DIAGRAM, COMBINED (PCB assy) STAGE 100/160 AMPLIFIERS	
APPROVED BY: <i>dBL</i>	DATE: <i>3/2/00</i>	SIZE: <b>D</b>	DRAWING NUMBER: <b>0054255000</b>
DRAWN: D. LEWIS	ENGR: D. LEWIS	RELEASE DATE: 30-OCT-98	SHEET 2 OF 2
DATABASE FILE: 2400P.PCB		REV. <b>C</b>	