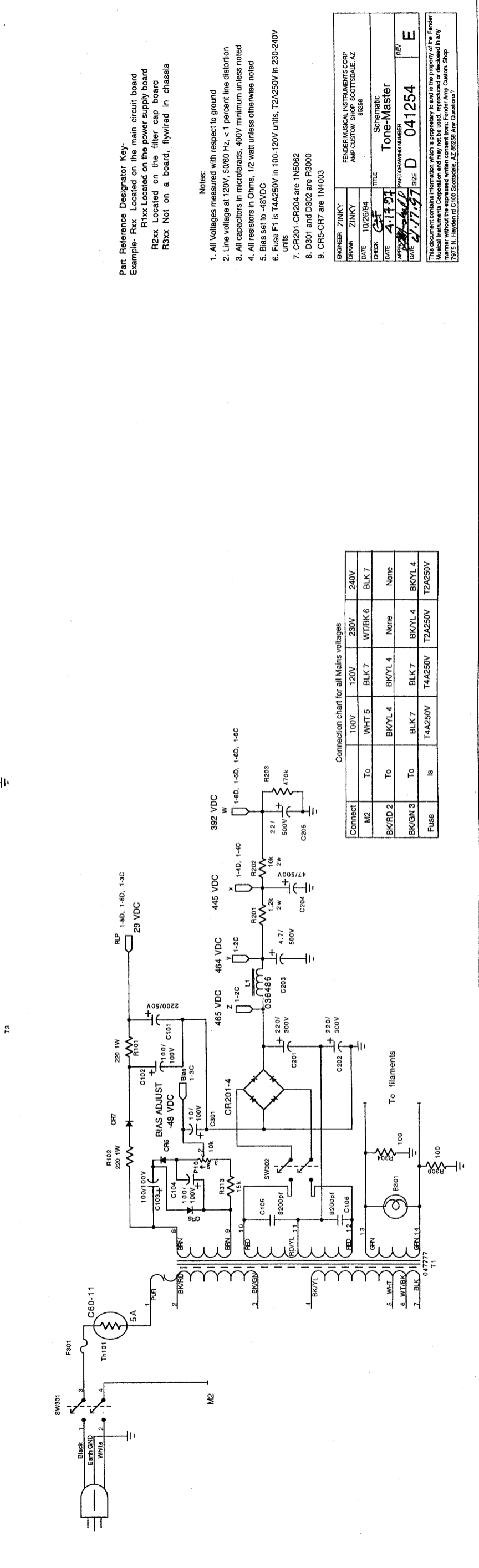
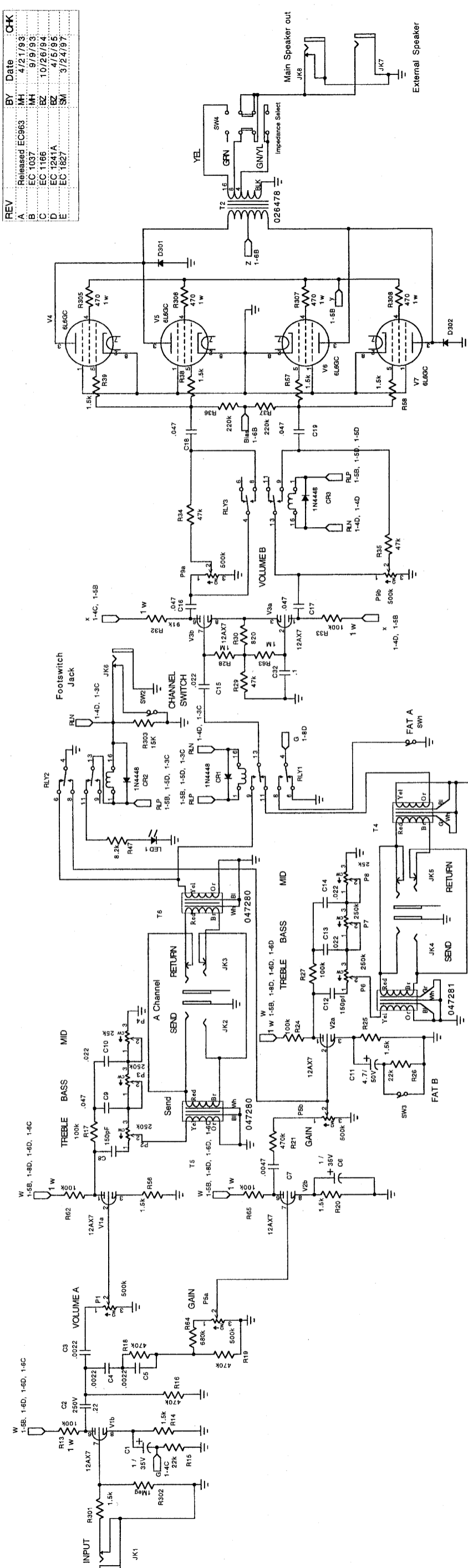


REV	BY	Date	CHK
A	Released	EC963	4/21/93
B	EC 1037	WH	9/9/93
C	EC 1166	BZ	10/26/94
D	EC 1241A	BZ	4/5/95
E	EC 1827	SM	3/24/97



Part Reference Designator Key:
 Example- Rxx Located on the main circuit board
 R1xx Located on the power supply board
 R2xx Located on the filter cap board
 R3xx Not on a board, flywired in chassis

- Notes:
- All Voltages measured with respect to ground
 - Line voltage at 120V, 50/60 Hz, < 1 percent line distortion
 - All capacitors in microfarads, 400V minimum unless noted
 - All resistors in Ohms, 1/2 watt unless otherwise noted
 - Bias set to -48VDC
 - Fuse F1 is T4A250V in 100-120V units, T2A250V in 230-240V units
 - CR201-CR204 are 1N5062
 - D301 and D302 are R3000
 - CR5-CR7 are 1N4003

ENGINEER	ZINKY	FENDER MUSICAL INSTRUMENTS CORP	REV
DRAWN	ZINKY	AMP CUSTOM SHOP, SCOTTSDALE, AZ	E
DATE	10/26/94	85598	
CHECK			
DATE	4-17-97	Tone-Master	
APPROVED			
DATE	4-17-97	PART DRAWING NUMBER	
		SIZE	D 041254

Connect	100V	120V	230V	240V
M2	To WHT 5	BLK 7	WTRBK 6	BLK 7
BK/RD 2	To BK/YL 4	BK/YL 4	None	None
BK/GN 3	To BLK 7	BLK 7	BK/YL 4	BK/YL 4
Fuse	Is	T4A250V	T2A250V	T2A250V

This document contains information which is proprietary to and is the property of the Fender Musical Instruments Corporation and may not be used, reproduced or disclosed in any manner without the expressed written consent from: Fender Amp Custom Shop 7975 N. Hayward Rd. C100 Scottsdale, AZ 85258 Any Questions?