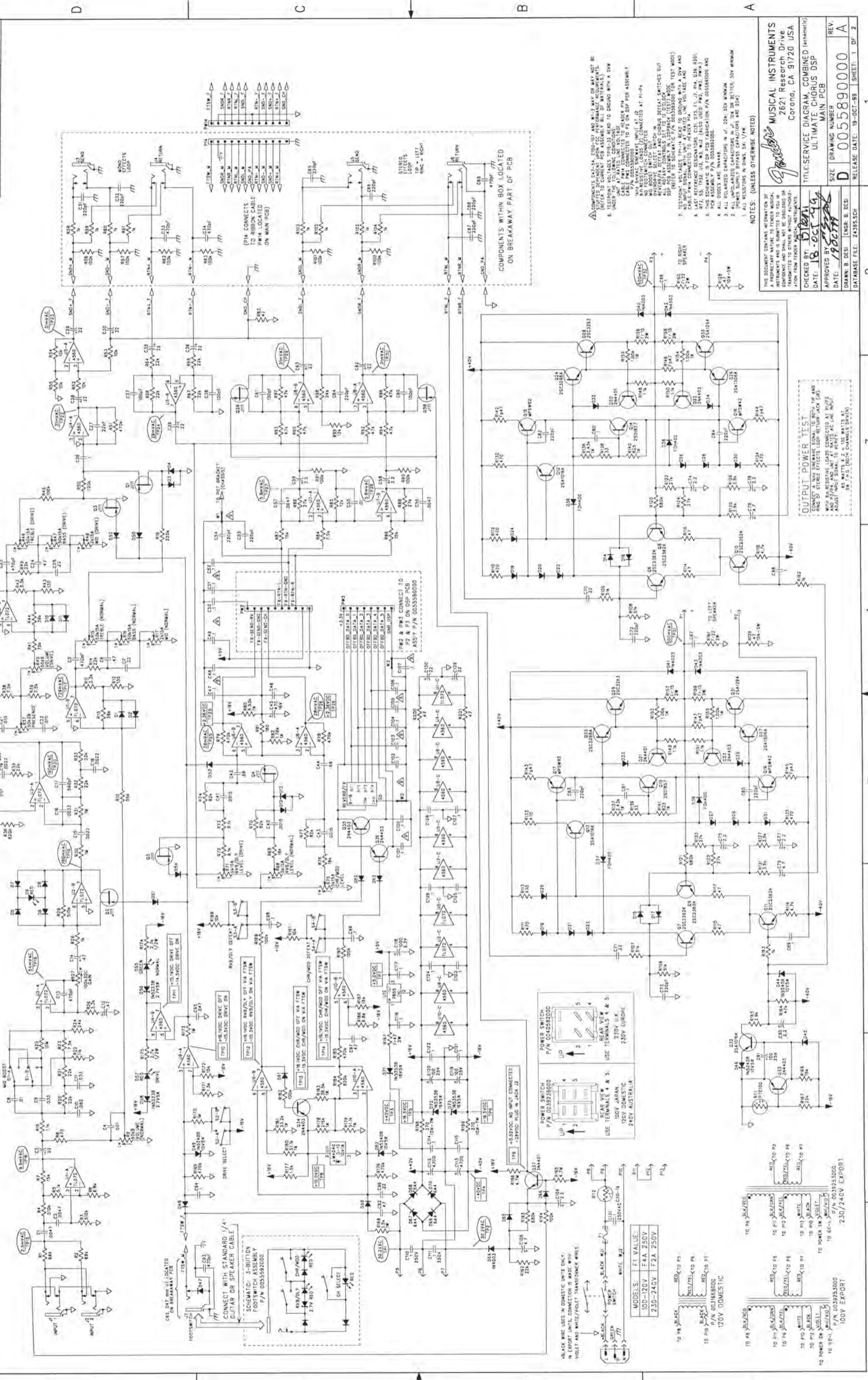


REV.	DESCRIPTION	DATE	APPROVED
A	PR4.36	19-OCT-99	R J D



REV.	A
DATE	19-OCT-99
APPROVED BY	R J D
DATE	19-OCT-99
DRAWN BY	B. DESI
ENGR BY	B. DESI
DATE	19-OCT-99
SIZE	D
DRAWING NUMBER	005589000
TITLE	SERVICE DIAGRAM, COMBINED (continued)
	ULTIMATE CHORUS DSP
	MAIN PCB
	MUSICAL INSTRUMENTS
	2621 Research Drive
	Corona, CA 91720 USA
RELEASE DATE	19-OCT-99
SHEET	1
DF	2

REVISIONS			
REV.	DESCRIPTION	DATE	APPROVED
A	PR436	18-OCT-89	R J D

1

2

3

4

5

6

7

8

D

C

B

A

D

C

B

A

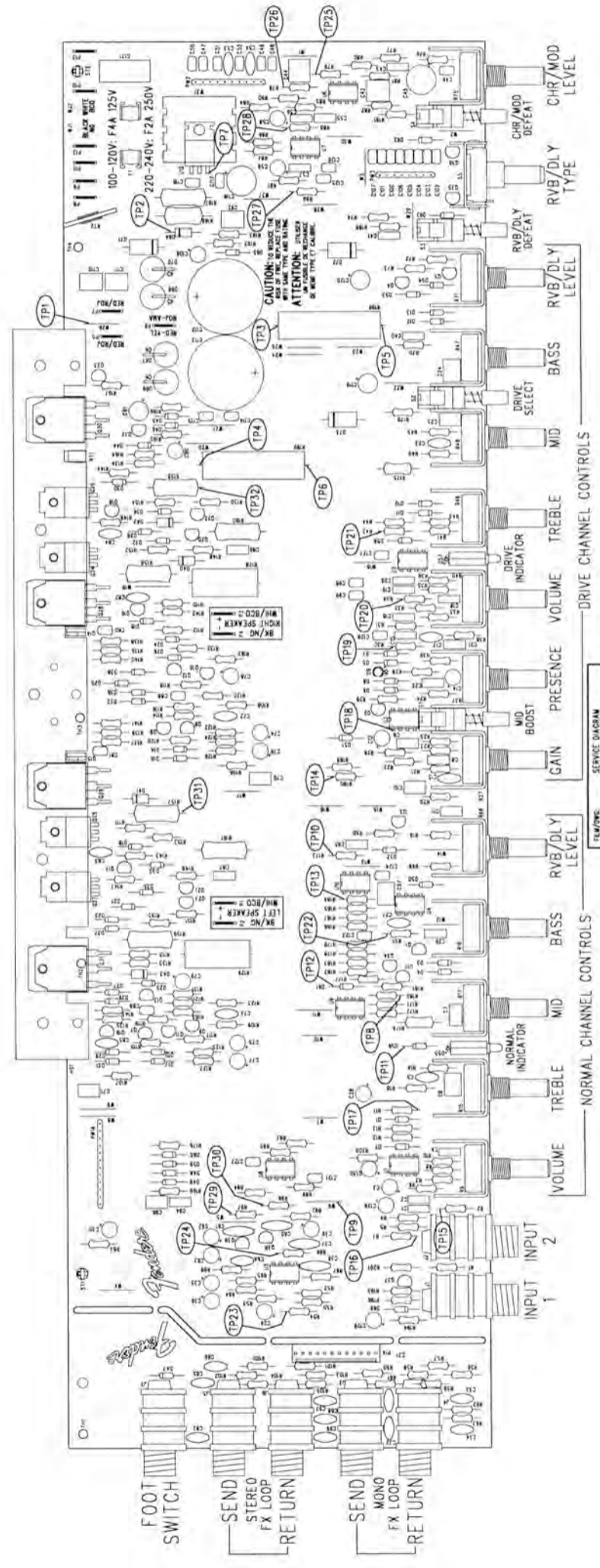


FIGURE SERVICE DIAGRAM
DATE: 18-OCT-89

THIS DOCUMENT CONTAINS INFORMATION OF A PROPRIETARY NATURE TO FENDER MUSICAL INSTRUMENTS AND IS SUBMITTED TO YOU IN CONFIDENCE. IT IS NOT TO BE REPRODUCED, COPIED, OR DISSEMINATED TO OTHERS WITHOUT AUTHORITY FROM FENDER MUSICAL INSTRUMENTS.

CHECKED BY: *B. Dean*
DATE: *14-OCT-89*
APPROVED BY: *[Signature]*
DATE: *[Signature]*
DRAWN BY: *[Signature]*
DATE: *[Signature]*
DATABASE FILE: 743MP.PCB

MUSICAL INSTRUMENTS
2621 Research Drive
Corona, CA 91720 USA

TITLE: SERVICE DIAGRAM, COMBINED (PCB 085Y)
ULTIMATE CHORUS DSP
MAIN PCB

SIZE: D
DRAWING NUMBER: 0055890000
REV: A
RELEASE DATE: 18-OCT-89
SHEET: 2 OF 2

2. DSP ASSEMBLY P/N 0055890000 MUST BE CONNECTED TO PWR FOR SIGNAL TO APPEAR AT TP27 AND TP28.
1. SEE SHEET 1 FOR PRIMARY WIRING, TEST CONDITIONS AND TESTPOINT VALUES.

NOTES: (UNLESS OTHERWISE NOTED)

2

3

4

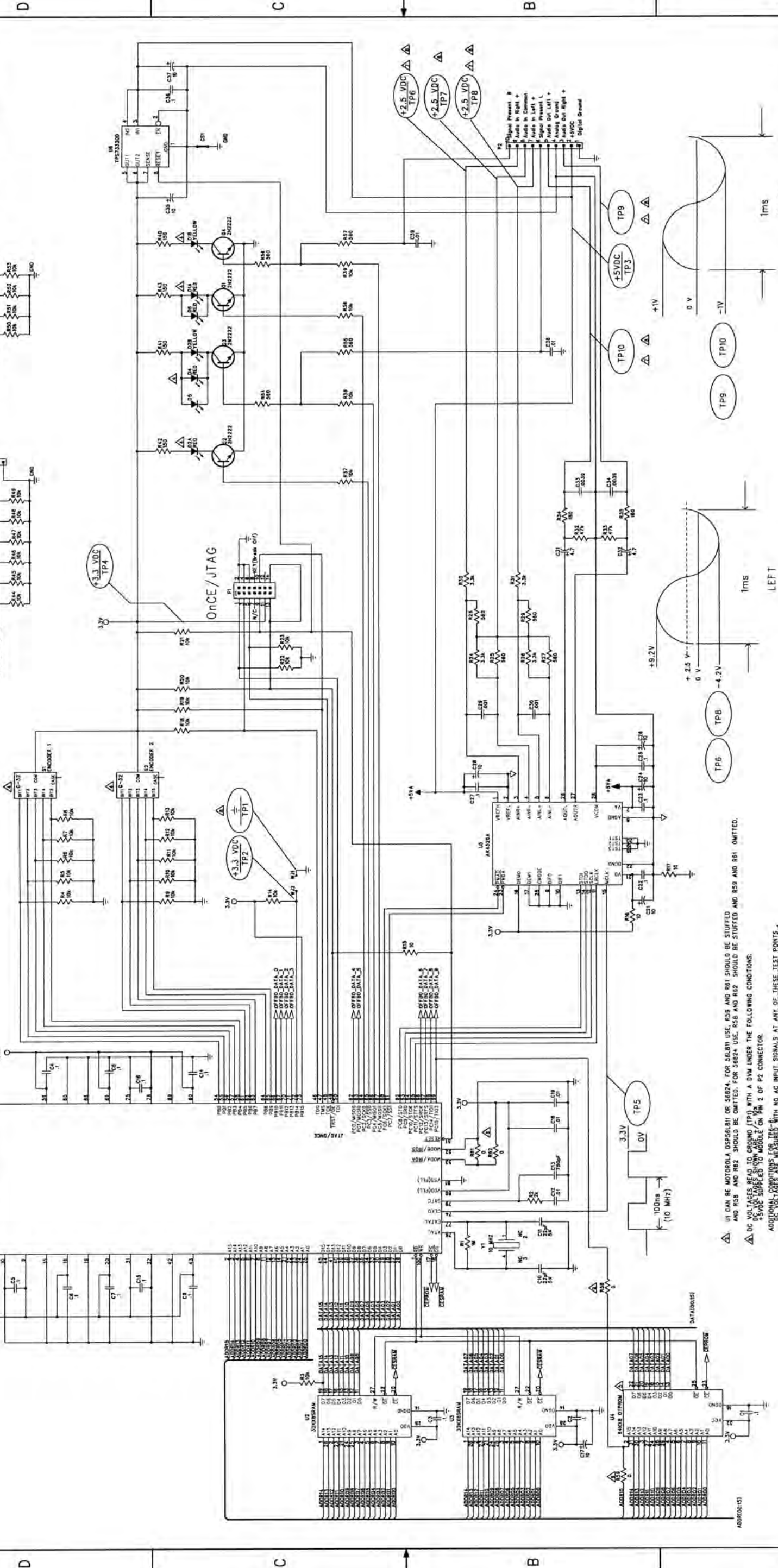
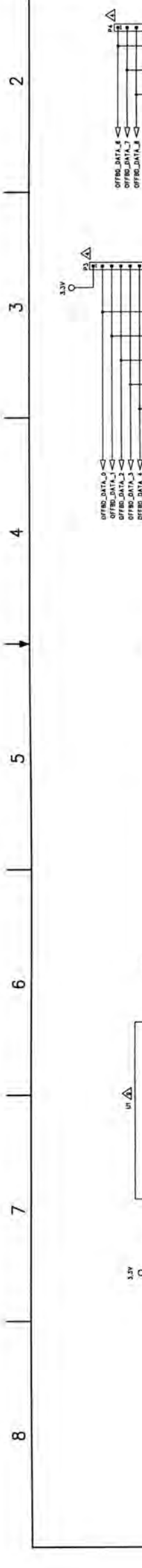
5

6

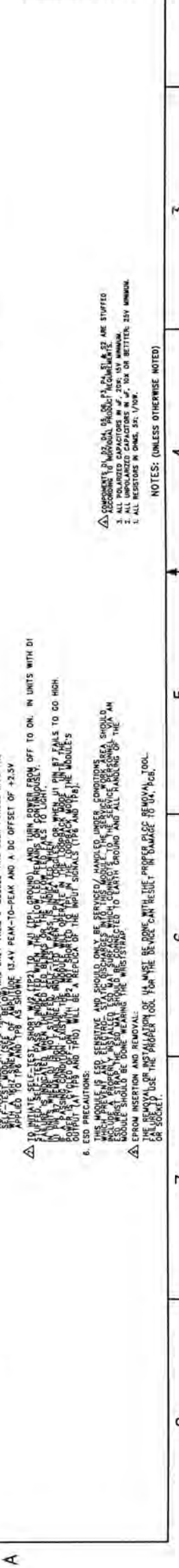
7

8

REV.	DESCRIPTION	DATE	APPROVED
A	PR 378	16-JAN-98	R. P.
B	PR 398	15-JUL-98	E M M
C	PR 406	30-OCT-98	LWF
D	EC 2271	31-MAR-99	JEB



REV.	DESCRIPTION	DATE	APPROVED
A	PR 378	16-JAN-98	R. P.
B	PR 398	15-JUL-98	E M M
C	PR 406	30-OCT-98	LWF
D	EC 2271	31-MAR-99	JEB



REV.	DESCRIPTION	DATE	APPROVED
A	PR 378	16-JAN-98	R. P.
B	PR 398	15-JUL-98	E M M
C	PR 406	30-OCT-98	LWF
D	EC 2271	31-MAR-99	JEB

REVISIONS

1 2 3 4 5 6 7 8

1 2 3 4 5 6 7 8

1 2 3 4 5 6 7 8

1 2 3 4 5 6 7 8

1 2 3 4 5 6 7 8

MUSICAL INSTRUMENTS
2621 Research Drive
Corona, CA 91720 USA

TITLE: SERVICE DIAGRAM, COMBINED (Schematic)
DSP SFX SERIES
CHECKED BY: [Signature]
DATE: 31-MAR-99
APPROVED BY: [Signature]
DATE: 31-MAR-99
DRAWN: S. HOSBIE [Signature]
DATE: 31-MAR-99
DATABASE FILE: Z3695.SCH

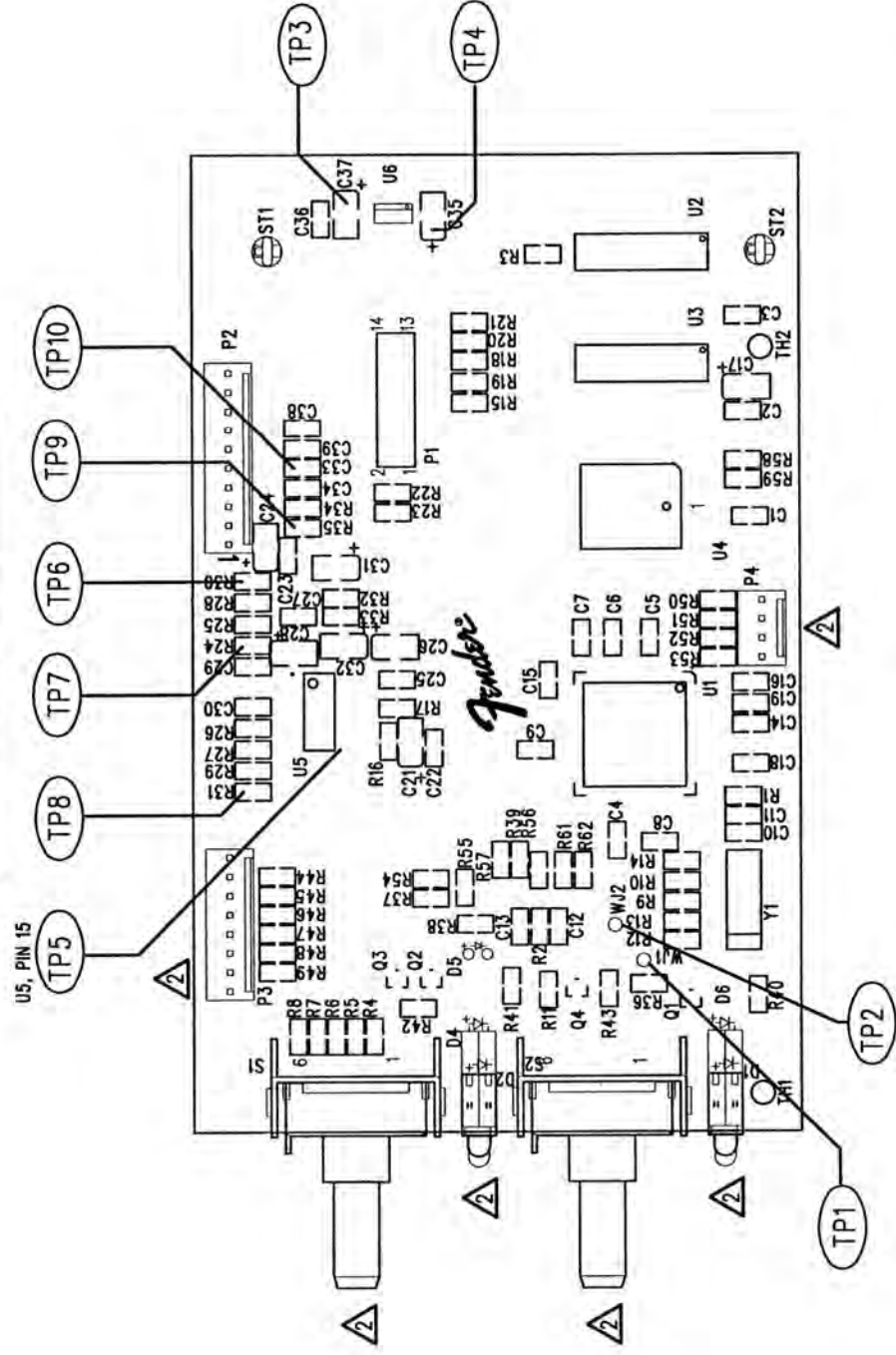
THIS DOCUMENT CONTAINS INFORMATION OF A PROPRIETARY NATURE TO TENCOR MEDICAL CORPORATION. IT IS THE PROPERTY OF TENCOR MEDICAL CORPORATION AND SHALL NOT BE REPRODUCED OR TRANSMITTED TO OTHERS WITHOUT AUTHORIZATION FROM TENCOR MEDICAL INSTRUMENTS.

NOTES: (UNLESS OTHERWISE NOTED)
1. ALL RESISTORS IN OHMS, 5% TOL.
2. ALL UNPOLARIZED CAPACITORS IN μF, 20% TOL, 15V MINIMUM.
3. ALL POLARIZED CAPACITORS IN μF, 20% TOL, 15V MINIMUM.
4. COMPONENTS IN ITALIC ARE TO BE STUFFED ACCORDING TO MANUFACTURER'S RECOMMENDATIONS.
5. ALL UNPOLARIZED CAPACITORS IN μF, 20% TOL, 15V MINIMUM.
6. ESD PRECAUTIONS: THIS MODULE IS ESD SENSITIVE AND SHOULD ONLY BE SERVICED/HANDLED UNDER CONDITIONS OF AN ESD PROTECTIVE PROGRAM. ESD PREVENTION STRATEGIES SHOULD BE EMPLOYED TO PREVENT ESD DAMAGE TO THE MODULE. ESD PREVENTION STRATEGIES SHOULD BE EMPLOYED TO PREVENT ESD DAMAGE TO THE MODULE. ESD PREVENTION STRATEGIES SHOULD BE EMPLOYED TO PREVENT ESD DAMAGE TO THE MODULE.

REVISIONS

REV.	DESCRIPTION	DATE	APPROVED
A	PR 378	16-JAN-98	R.P.
B	PR 398	15-JUL-98	E M M
C	PR 406	30-OCT-98	L W F
D	EC 2271	31-MAR-99	J E B

FILM/DWG: SERVICE DIAGRAM
 DATABASE: Z369P.PCB DATE: 31-MAR-99



THIS DOCUMENT CONTAINS INFORMATION OF A PROPRIETARY NATURE TO FENDER MUSICAL INSTRUMENTS AND IS SUBMITTED TO YOU IN CONFIDENCE AND SHALL NOT BE DISCLOSED OR TRANSMITTED TO OTHERS WITHOUT AUTHORIZATION FROM FENDER MUSICAL INSTRUMENTS.

Fender
 MUSICAL INSTRUMENTS
 2621 Research Drive
 Corona, CA 91720 USA

CHECKED BY: B. Miller
 CK DATE: 31-MAR-99
 APPROVED BY: J. Jackson
 AP DATE: 30 MAR 99
 DRAWN: S. HOSNER ENGR: R. POVINMIRE
 DATABASE FILE: Z369P.PCB

TITLE: SERVICE DIAGRAM, COMBINED (PCB assy)
 DSP SFX SERIES
 SIZE: B DRAWING NUMBER: 0053569000 REV: D
 RELEASE DATE: 16-JAN-98 SHEET 2 OF 2

3. TEST POINT LOCATIONS AND VALUES ARE VALID FOR ALL PRODUCT CONFIGURATIONS.
 Δ COMPONENTS D1, D2, D4, D5, D6, P3, P4, S1 & S2 ARE STUFFED ACCORDING TO INDIVIDUAL PRODUCT REQUIREMENTS. SEE SPECIFIC PRODUCT BILL OF MATERIALS TO DETERMINE WHICH COMPONENTS SHOULD BE PRESENT. REFERENCE MASTER ASSEMBLY DRAWING 0053567000
1. SEE SHEET 1 FOR TEST CONDITIONS AND TEST POINT VALUES.
- NOTES: (UNLESS OTHERWISE NOTED)