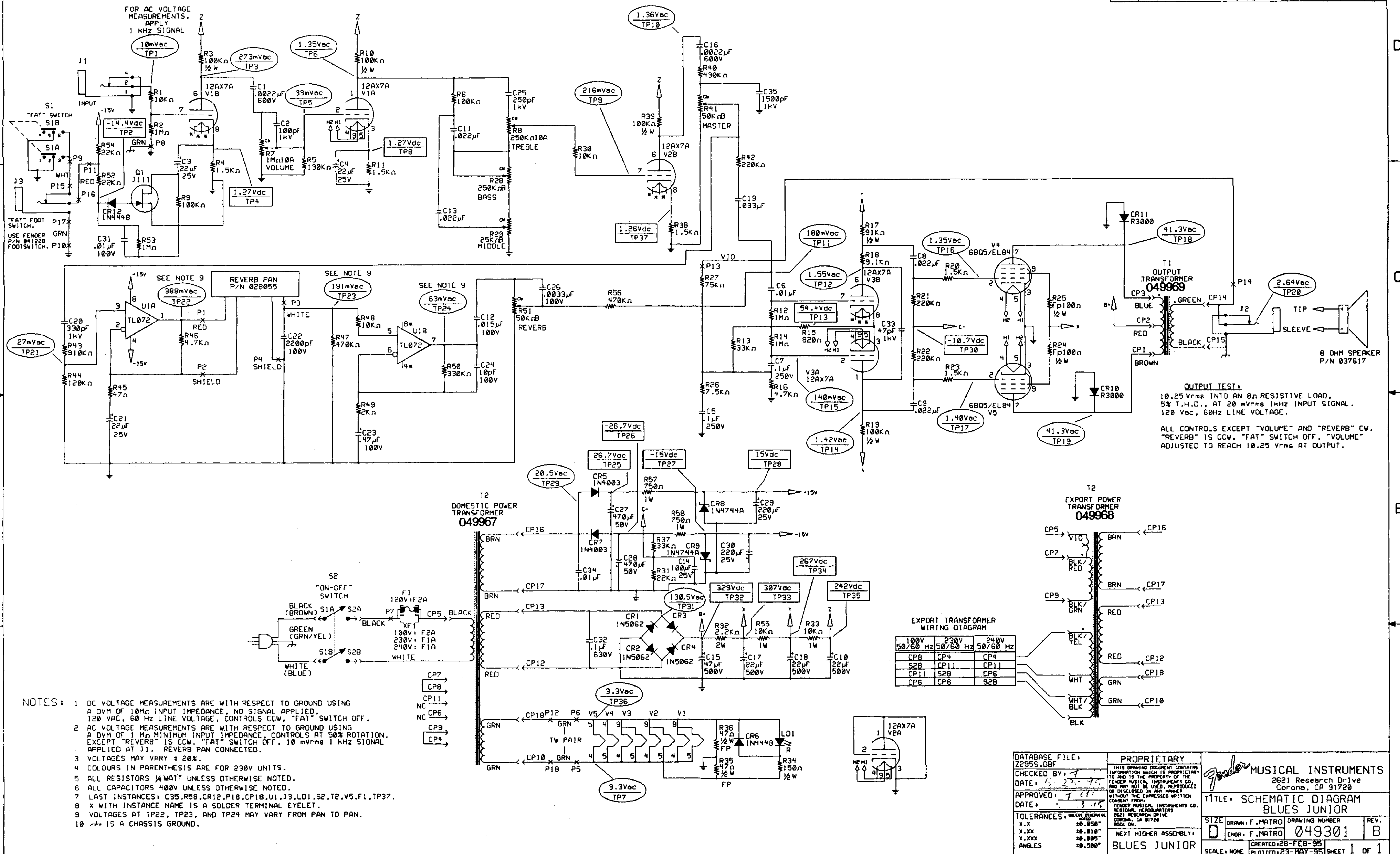


REVISIONS				
ZONE	REV.	DESCRIPTION	DATE	APPROVED
	A	RELEASED PR295	3-3-95	FM
	B	EC 1476	5-15-95	FM



- NOTES:
- DC VOLTAGE MEASUREMENTS ARE WITH RESPECT TO GROUND USING A DVM OF 10MΩ INPUT IMPEDANCE, NO SIGNAL APPLIED, 120 VAC, 60 Hz LINE VOLTAGE, CONTROLS CCW, "FAT" SWITCH OFF.
 - AC VOLTAGE MEASUREMENTS ARE WITH RESPECT TO GROUND USING A DVM OF 1 MΩ MINIMUM INPUT IMPEDANCE, CONTROLS AT 50% ROTATION, EXCEPT "REVERB" IS CCW, "FAT" SWITCH OFF, 10 mVrms 1 kHz SIGNAL APPLIED AT J1. REVERB PAN CONNECTED.
 - VOLTAGES MAY VARY ± 20%.
 - COLOURS IN PARENTHESES ARE FOR 230V UNITS.
 - ALL RESISTORS 1/4 WATT UNLESS OTHERWISE NOTED.
 - ALL CAPACITORS 400V UNLESS OTHERWISE NOTED.
 - LAST INSTANCES: C35, R58, CR12, P18, CP18, U1, J3, LD1, S2, T2, V5, F1, TP37.
 - X WITH INSTANCE NAME IS A SOLDER TERMINAL EYELET.
 - VOLTAGES AT TP22, TP23, AND TP24 MAY VARY FROM PAN TO PAN.
 - IS A CHASSIS GROUND.

OUTPUT TEST:
 10.25 Vrms INTO AN 8Ω RESISTIVE LOAD,
 5% T.H.D., AT 20 mVrms 1kHz INPUT SIGNAL.
 120 VAC, 60Hz LINE VOLTAGE.
 ALL CONTROLS EXCEPT "VOLUME" AND "REVERB" CW.
 "REVERB" IS CCW, "FAT" SWITCH OFF, "VOLUME"
 ADJUSTED TO REACH 10.25 Vrms AT OUTPUT.

EXPORT TRANSFORMER WIRING DIAGRAM

100V	230V	240V
CP8	CP4	CP4
S2B	CP11	CP11
CP11	S2B	CP6
CP6	CP6	S2B

DATABASE FILE: Z2955.DBF CHECKED BY: J DATE: 5-23-95 APPROVED: J DATE: 3-15-95 TOLERANCES: UNLESS OTHERWISE SPECIFIED: X.X .50" X.XX .010" X.XXX .005" ANGLES .500°	PROPRIETARY THIS DRAWING DOCUMENT CONTAINS INFORMATION WHICH IS PROPRIETARY TO AND IS THE PROPERTY OF THE FENDER MUSICAL INSTRUMENTS CO. AND MAY NOT BE USED, REPRODUCED OR DISCLOSED IN ANY MANNER WITHOUT THE EXPRESS WRITTEN CONSENT FROM FENDER MUSICAL INSTRUMENTS CO. REGIONAL HEADQUARTERS 2621 RESEARCH DRIVE CORONA, CA 91720 NEXT HIGHER ASSEMBLY: BLUES JUNIOR SCALE: NONE PLOTTED: 23-MAY-95 SHEET 1 OF 1	Fender MUSICAL INSTRUMENTS 2621 Research Drive Corona, CA 91720 TITLE: SCHEMATIC DIAGRAM BLUES JUNIOR SIZE: DRAWN: F. MATRO DRAWING NUMBER: 049301 REV.: B ENGR: F. MATRO
---	---	---

0049302000