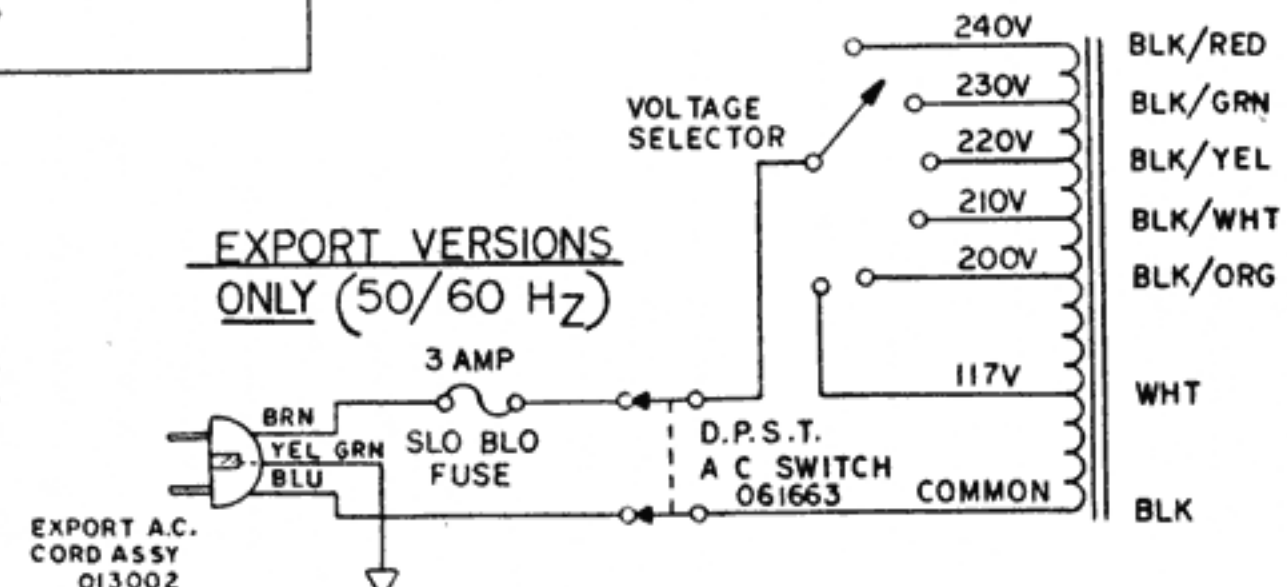


FENDER P/N	ON EXPORT MODEL
022764	TR1-125P34AX
022756	TR1-125P34A
022699	TR2-125C1A
022889	TR3-125A29A
022921	TR4-125A20A
010695	100MF 350V
020982	20MF 500V
003994	80MF 75V



- △ PART NO. 010870 USED IN SOME VERSIONS.
- WITH ALL CONTROLS SET AT MAXIMUM, (XX MV) DENOTES, TYPICAL 400HZ SIGNAL REQUIRED FOR 10 WATTS OUTPUT AND FOR SUPPLYING 800 MV TO REVERB UNITS INPUT COIL
 - ALL CAPACITOR AT LEAST 600V, W.V.D.C.
 - FENDER P/N FOR CONTROLS INDICATED.
 - BASS AND TREBLE CONTROLS ARE P/NO21857.
 - ALL RESISTORS ARE 1/2 WATTS ± 10%.

NOTES: UNLESS OTHERWISE SPECIFIED

FENDER MUSICAL INSTRUMENTS
 CBS MUSICAL INSTRUMENTS
 A DIVISION OF CBS INC.
 FULLERTON, CALIFORNIA
 U.S.A.

CBS MUSICAL INSTRUMENTS
 FULLERTON, CALIFORNIA

DWG. TITLE — SCHEMATIC —
 100 WATTS RMS PUBLIC
 ADDRESS AMP WITH SEPARATE
 REVERB SWITCHES TUBE TYPE

DWG. NO. 012234