

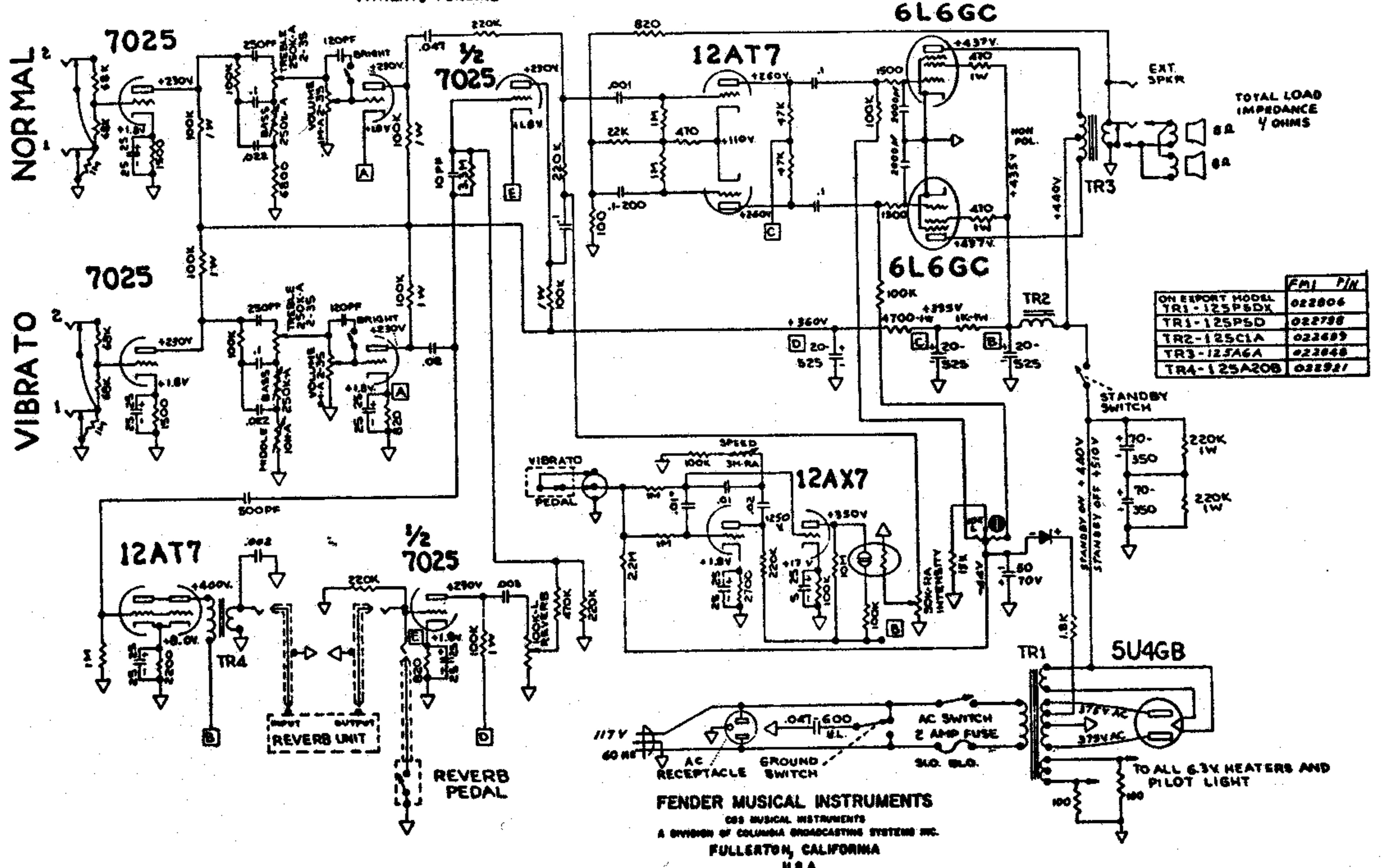
FENDER MODEL

"PRO REVERB-AMP AA1069" SCHEMATIC

NOTICE

THIS PRODUCT MANUFACTURED UNDER ONE OR MORE OF THE FOLLOWING U.S. PATENTS-
 CIRCUIT PATENT #2817708, #2973681
 DESIGN PATENT #102859
 PATENTS PENDING

1. VOLTAGES READ TO GROUND WITH ELECTRONIC VOLTMETER.
2. ALL RESISTORS 1/2 WATT 10% TOLERANCE IF NOT SPECIFIED.
3. ALL CAPACITORS AT LEAST 400 VOLT RATING IF NOT SPECIFIED.
4. ALL VOLTAGES READ WITH VIBRATO PEDAL GROUNDING AND NO INPUT SIGNAL.



ON EXPORT MODEL	FMI PIN
TR1-125P6DX	022806
TR1-125P5D	022798
TR2-125C1A	022689
TR3-125A6A	022648
TR4-125A20B	022921

FENDER MUSICAL INSTRUMENTS
 CBS MUSICAL INSTRUMENTS
 A DIVISION OF COLUMBIA BROADCASTING SYSTEMS INC.
 FULLERTON, CALIFORNIA
 U.S.A.

DRAWN F 10-K-69		DWG. TITLE	
DATE		SCHEMATIC & WIRING DIAGRAM	
		PRO REVERB-AMP	
		TUBE TYPE	
REV	DESCRIPTION	DATE	BY
D	INCORPORATES ECO #1155, 1156, 1157, 1158, 1159, 1160, 1161, 1162, 1163, 1164, 1165, 1166, 1167, 1168, 1169, 1170, 1171, 1172, 1173, 1174, 1175, 1176, 1177, 1178, 1179, 1180, 1181, 1182, 1183, 1184, 1185, 1186, 1187, 1188, 1189, 1190, 1191, 1192, 1193, 1194, 1195, 1196, 1197, 1198, 1199, 1200	1-6-69	RA N.
C	INCORPORATES ECO #142B	5-10-68	E. RAIN
B	INCORPORATES ECO #1081		

SCALE: NONE
 MODEL: PRO REVERB-AMP
 SHEET 1 OF 2

REVISIONS

AMPLIFIER TT