

FENDER MODEL

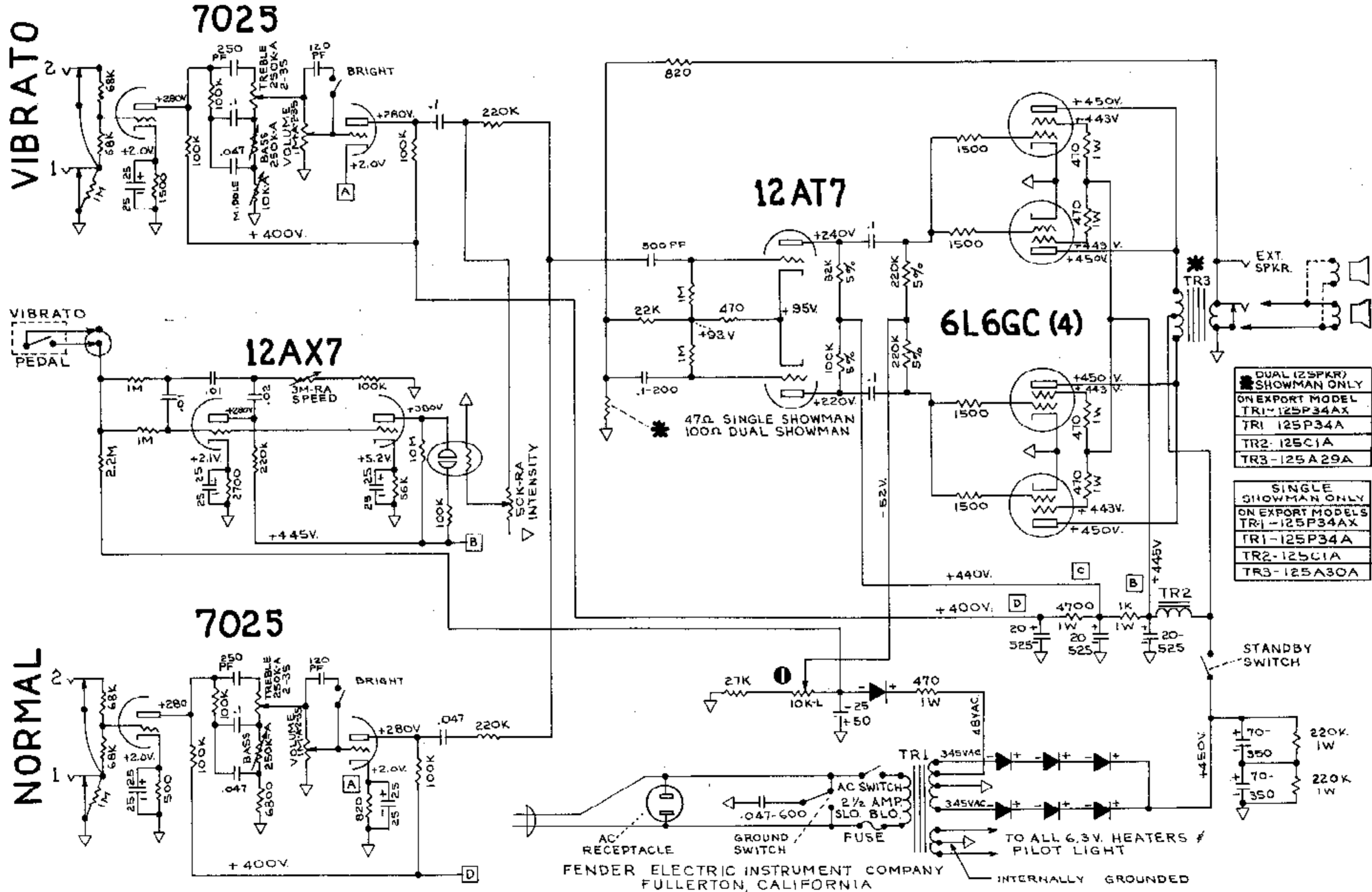
"SHOWMAN-AMP AA763" SCHEMATIC P/B

NOTICE

THIS PRODUCT MANUFACTURED UNDER ONE OR MORE OF THE FOLLOWING U.S. PATENTS-
#2817708, #2973681, 192859 PATENTS PENDING

1-VOLTAGES READ TO GROUND WITH ELECTRONIC VOLTMETER. VALUES SHOWN + OR - 20%
2-ALL RESISTORS 1/2 WATT 10% TOLERANCE IF NOT SPECIFIED.
3-ALL CAPACITORS AT LEAST 400 VOLT RATING IF NOT SPECIFIED.

A-FD



DUAL (2 SPKR) SHOWMAN ONLY
ON EXPORT MODEL
TR1-125P34AX
TR2-125C1A
TR3-125A29A

SINGLE SHOWMAN ONLY
ON EXPORT MODEL
TR1-125P34A
TR2-125C1A
TR3-125A30A

FENDER ELECTRIC INSTRUMENT COMPANY
FULLERTON, CALIFORNIA

INTERNALLY GROUNDING