

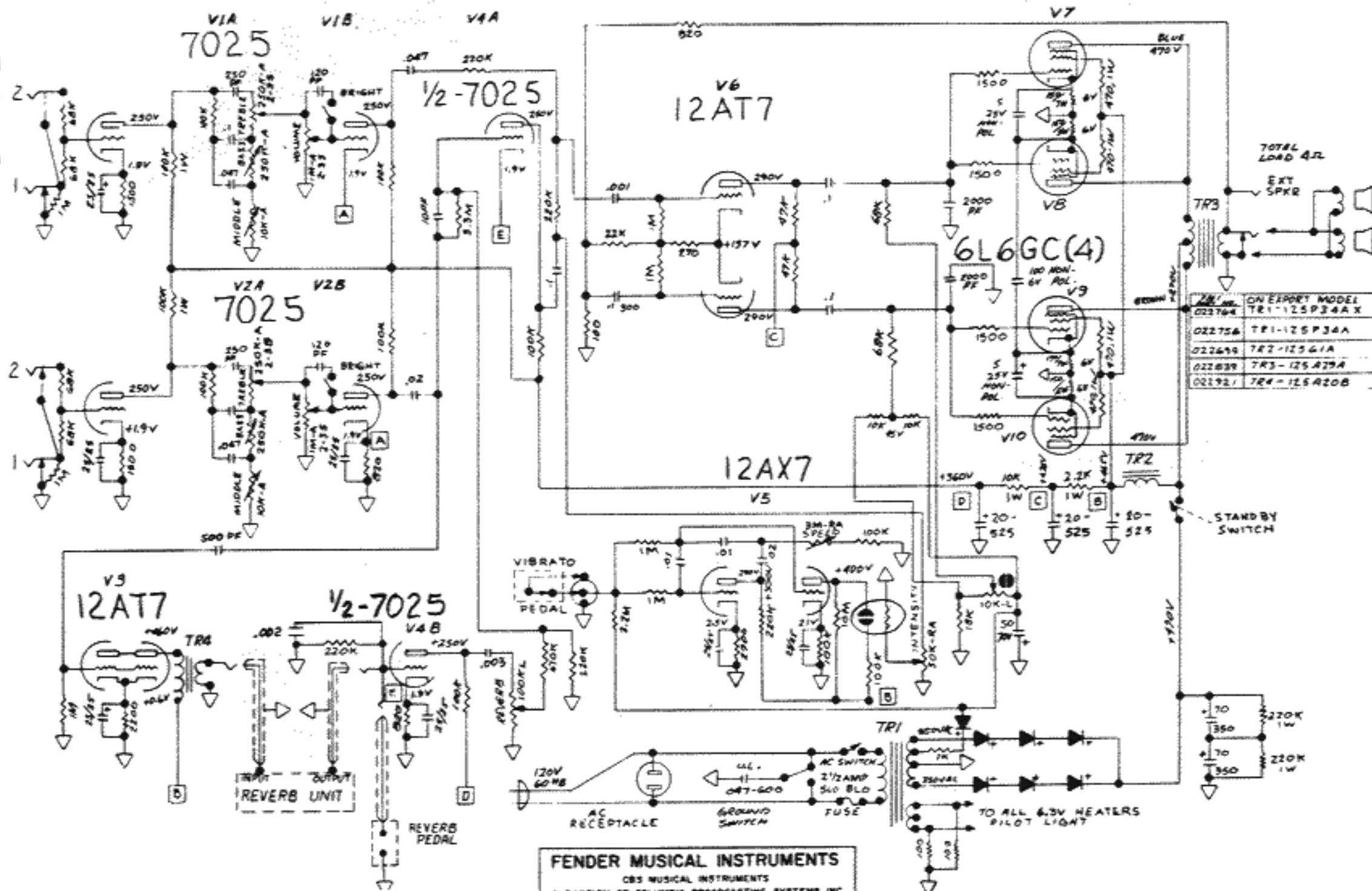
"SHOWMAN REVERB-AMP AA768" SCHEMATIC NOTICE

THIS PRODUCT MANUFACTURED UNDER ONE OR MORE OF THE FOLLOWING U.S. PATENTS:
2817708, # 2973681, 192859, 7 PATENTS PENDING

1. VOLTAGES READ TO GROUND WITH V.T.V.M. VALUES SHOWN + OR - 20%.
2. ALL RESISTORS 1/2WATT 10% TOLERANCE IF NOT SPECIFIED.
3. ALL CAPACITORS AT LEAST 400 VOLTS RATING IF NOT SPECIFIED.
4. VOLTAGES MEASURED WITH VIBRATO PEDAL GROUNDED TO CHASSIS.

NORMAL

VIBRATO



TR3	ON EIGHTY MODEL
022764	TR1-125P34A X
022756	TR1-125P34A
022699	TR2-125G1A
022639	TR3-125A29A
021921	TR4-125A20B

FENDER MUSICAL INSTRUMENTS
CBS MUSICAL INSTRUMENTS
A DIVISION OF COLUMBIA BROADCASTING SYSTEMS INC
SANTA ANA, CALIFORNIA
U.S.A.