

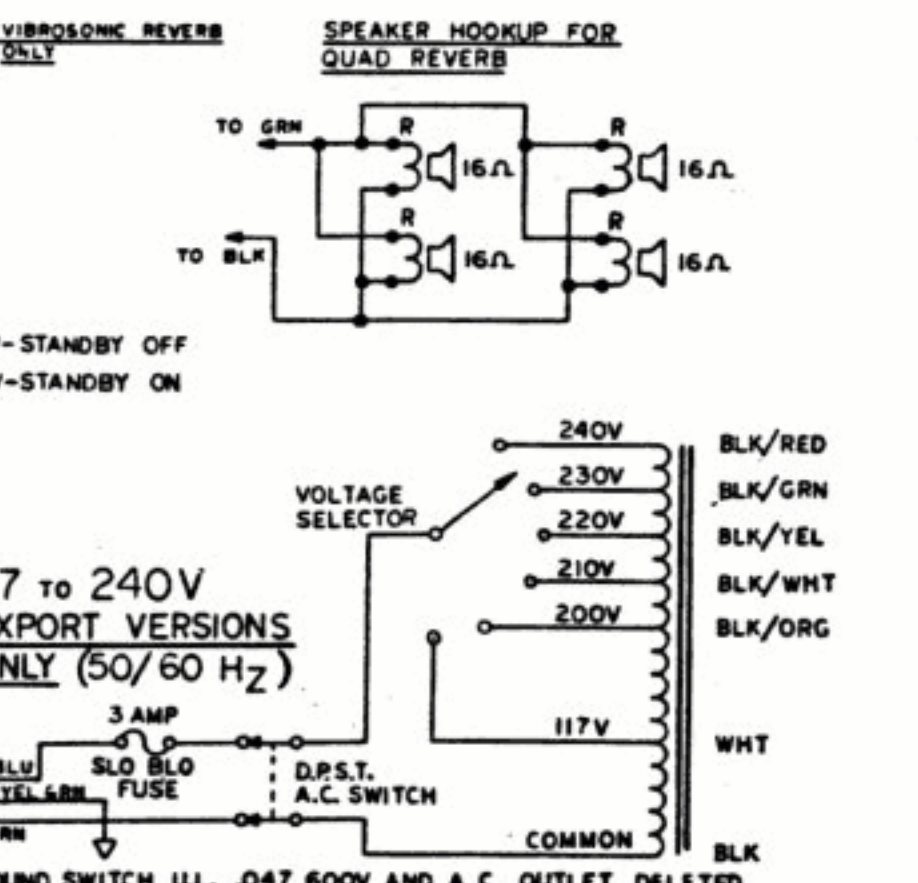
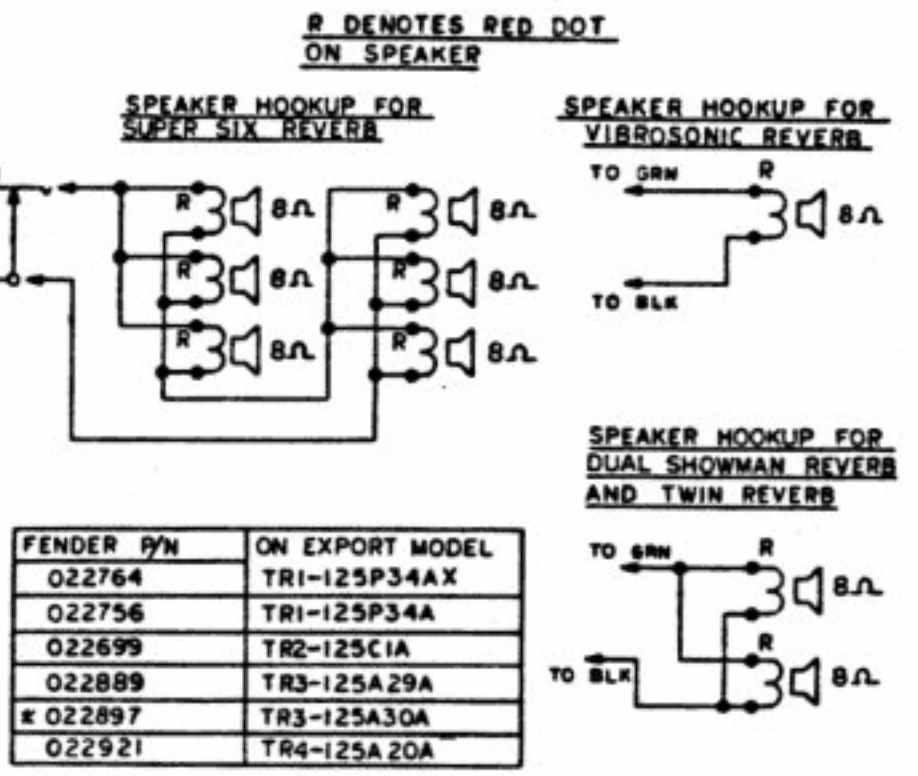
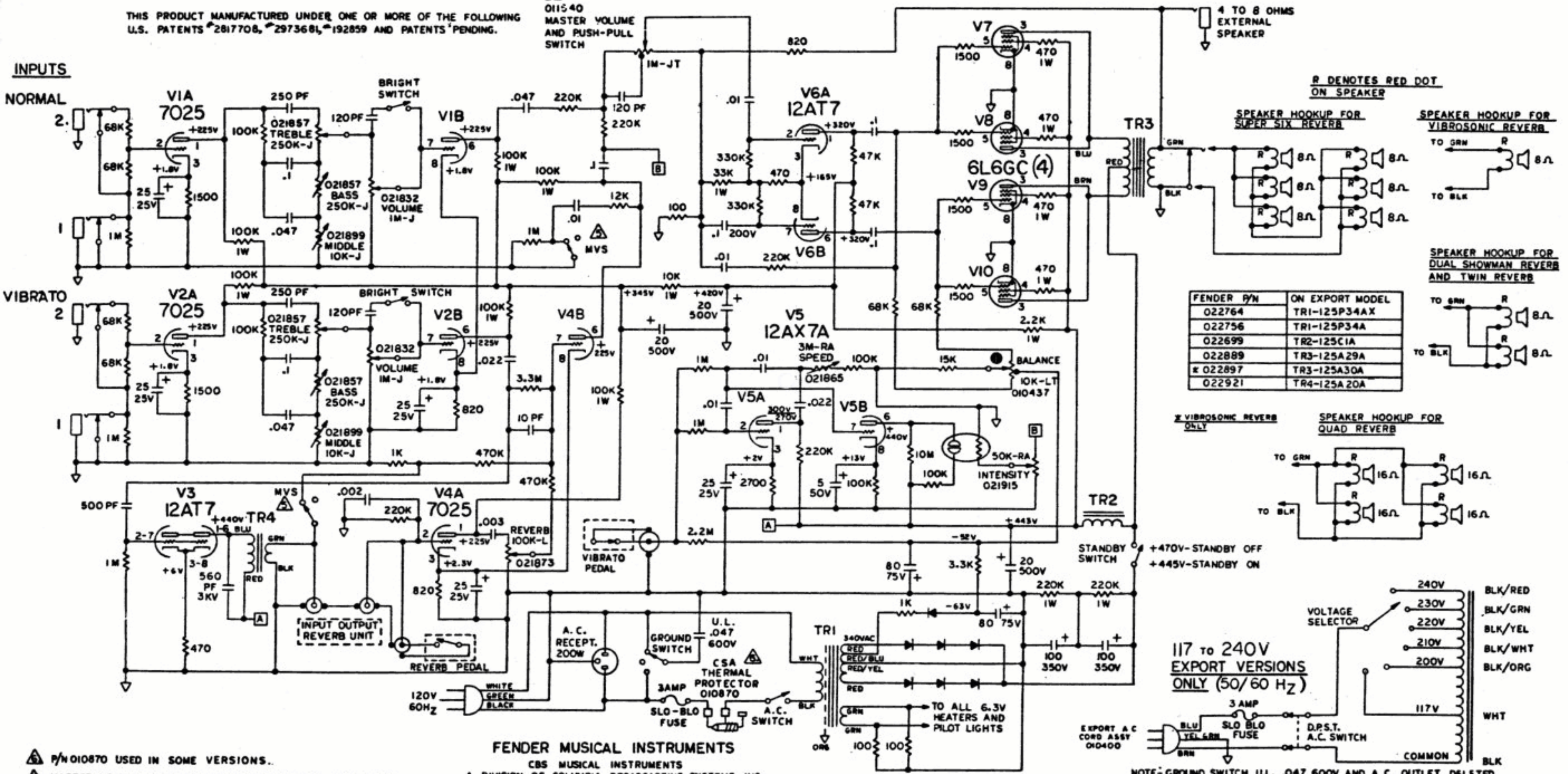
THIS PRODUCT MANUFACTURED UNDER ONE OR MORE OF THE FOLLOWING U.S. PATENTS 2817708, 2973684, 192859 AND PATENTS PENDING.

011540
MASTER VOLUME
AND PUSH-PULL
SWITCH

INPUTS

NORMAL

VIBRATO



FENDER MUSICAL INSTRUMENTS
CBS MUSICAL INSTRUMENTS
A DIVISION OF COLUMBIA BROADCASTING SYSTEMS INC.
FULLERTON, CALIFORNIA
U.S.A.

- ⚠ P/N 010870 USED IN SOME VERSIONS.
- ⚠ MASTER VOLUME PUSH-PULL SWITCH DESIGNATED MVS SHOWN IN 'OUT' POSITION, PUSH IN FOR PURE SOUND. USED IN SOME VERSIONS.
4. FENDER P/N FOR CONTROLS INDICATED.
 3. ALL CAPACITORS AT LEAST 600V, W.V.D.C.
 2. ALL RESISTORS 1/2 WATT ± 10%.
 1. VOLTAGES READ TO GROUND WITH V.T.V.M. WITH VIBRATO GROUNDING (EXCEPT V5) - NO INPUT SIGNAL.
1. SAMPLES OF FIRST ARTICLE PARTS MUST BE APPROVED BY CBS R & D ENGR. BEFORE STARTING PRODUCTION.
- NOTES: UNLESS OTHERWISE SPECIFIED

MODEL NO.	USED ON	UNLESS OTHERWISE SPECIFIED TOLERANCES	DWN	ROSALES	DATE
		FRACTIONS			
		X			
		JOK			
		JOK			
		ANGLES			
		FRACTIONAL WOOD			
		HOLE - CORR			
		HOLE - BRASS & PIERCE			
		FINISHES			
		UNFINISHED ANGLES ARE 90°			
		ALL DIMENSIONS ARE IN INCHES			
		DO NOT SCALE DRAWINGS			

REL. NO.	SIZE	DWG. NO.	REV
6/8	D	010182	F

CBS MUSICAL INSTRUMENTS
FULLERTON, CALIFORNIA

100 WATTS RMS AMP W/ REVERB AND VIBRATO

SCALE: MOD. SEVERAL SHEET 1 OF 1